

2-Button

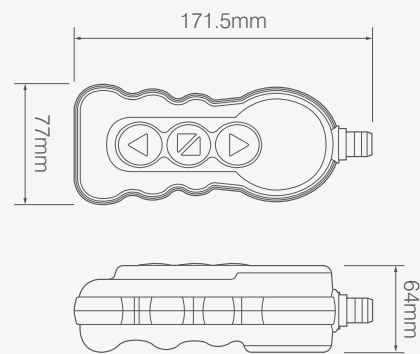


E4000

3-Button



E4001



171.5 x 77 x 64mm

- New updated design
- Universal tail lift control
- Includes 7-pin plug
- The integrated magnet provides a strong and secure means of storing the unit
- Fully waterproof and highly vibration resistant
- Extreme temperature reliability (-40°C ~ +90°C)

Fixture Type	Integrated magnet
Material	ABS plastic, rubber
Wiring System	7-pin plug
Ingress Protection	IP67
Vibration Resistance	IK09