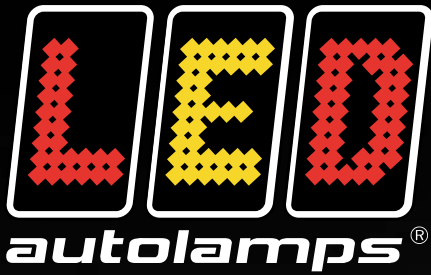




WORK LAMPS

www.ledautolamps-uk.com





Contact Us:

Tel: +44 (0)121 313 2222

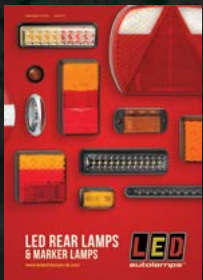
Fax: +44 (0)121 313 2272

Email: sales@ledautolamps-uk.com

Trading hours: Mon–Fri, 8:30–17:00 (UK)

LED Autolamps Europe LLP
Unit 8J, Maybrook Business Park
Minworth, Sutton Coldfield
B76 1AL, United Kingdom

COMPLETE VEHICLE LIGHTING SOLUTIONS



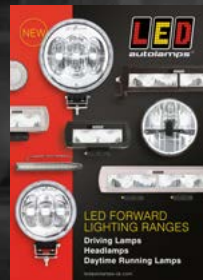
**REAR LAMPS &
MARKER LAMPS**



INTERIOR LAMPS



**EMERGENCY &
WARNING LIGHTING**



FORWARD LIGHTING

We are proud to offer the most comprehensive range of LED vehicle lighting in Europe. Suitable for all types of heavy-duty and commercial vehicles and equipment.

Completed by our ranges of Rear Lamps and Markers, Work Lamps, Emergency and Warning Lighting, and Cable Harness Systems – LED Autolamps offers a single source supply for all your CV lighting needs.

**CONTACT US FOR INFORMATION ON
OUR OTHER LED LIGHTING RANGES**

As further testimony to our commitment in achieving excellence across all aspects of the business, LED Autolamps are certified to ISO9001:2015, the internationally recognised Quality Management Standard.

This is our guarantee to you of exceptional customer service, unrivalled technical expertise and dedicated after sales care.



“ LED AUTOLAMPS IS A LEADING MANUFACTURER OF AN EXTENSIVE RANGE OF EUROPEAN CERTIFIED COMMERCIAL VEHICLE LED LIGHTING SOLUTIONS ”

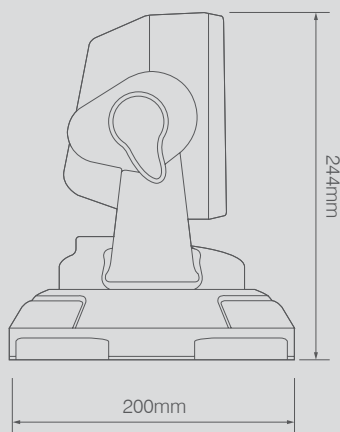
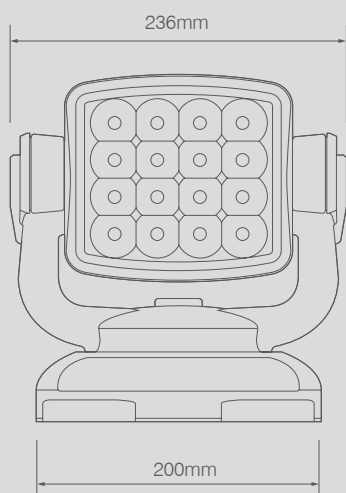
The company's commitment to research, development and innovative product design has firmly placed LED Autolamps as one of the industry's fastest growing companies specialising in LED commercial vehicle lighting.

The extensive new LED Autolamps work lamp range offers the most comprehensive choice of high-powered LED work lamps available in Europe – ranging from single 10W LED spot lamps to huge 24-LED 240W light bars – with work lamp solutions available to suit all applications and budgets.

The range allows for 12/24V versatility, and all lamps are built to the highest quality standards; with toughened lenses, highly durable housings and IP67 ingress protection, making them ideal for a wide range of heavy-duty and commercial vehicles – safely and efficiently illuminating even the harshest of working environments.



“ DELIVERING EXCELLENCE THROUGHOUT EUROPE ”

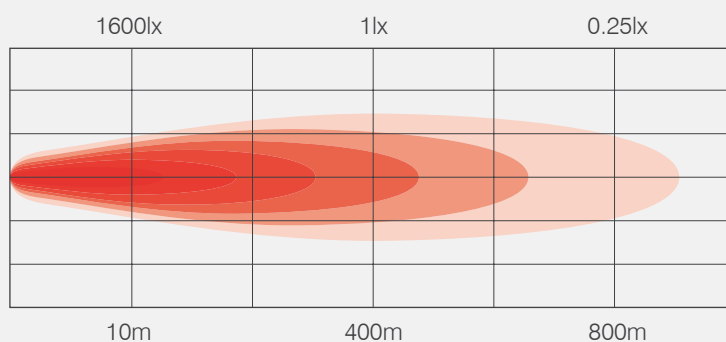

NEW


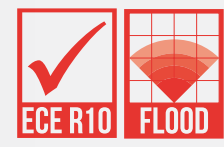
RC SL80BM

HIGH-POWER REMOTE CONTROLLED SEARCH LAMP

16 x 5W LEDs

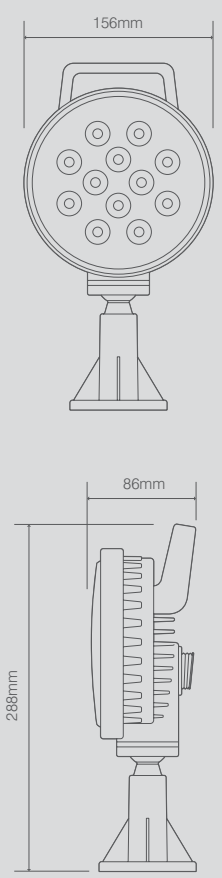
Dimensions (mm):	236 x 244 x 200
Voltage:	12/24V Multivolt
Beam Type:	Spot
Housing:	Black Powder-Coated Die Cast Aluminium
Lens:	Polycarbonate
Weight (kg):	4.4kg
Ingress Protection:	IP65
Raw Lumens:	6720lm
Effective Lumens:	3145lm
Current Draw (13.8 / 28V):	4.75A / 2.37A
Colour Temperature:	6000K
Warranty:	1 Year



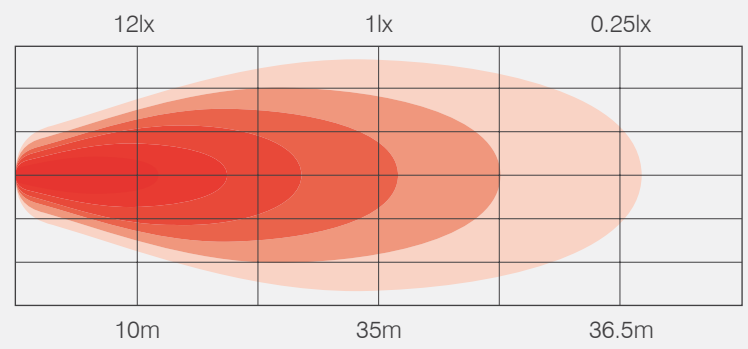


NEW

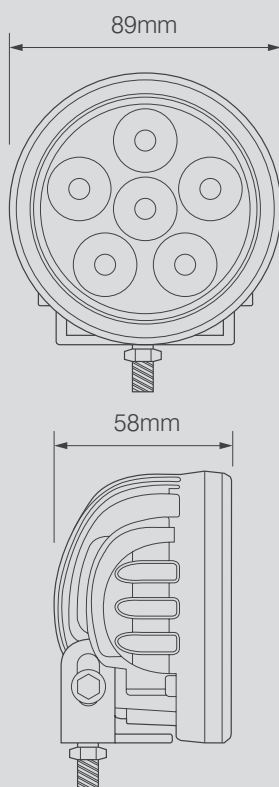
15636FBM
SWIVEL MOUNT FLOOD LAMP with on/off switch
 12 x 3W LEDs



Dimensions (mm):	288 x 156 x 86
Voltage:	12/24V Multivolt
Beam Type:	Flood
Housing:	Black Powder-Coated Die Cast Aluminium
Lens:	Polycarbonate
Weight (kg):	1kg
Ingress Protection:	IP67
Raw Lumens:	2700lm
Effective Lumens:	1550lm
Current Draw (13.8 / 28V):	1.99A / 1A
Colour Temperature:	6000K
Warranty:	3 Year



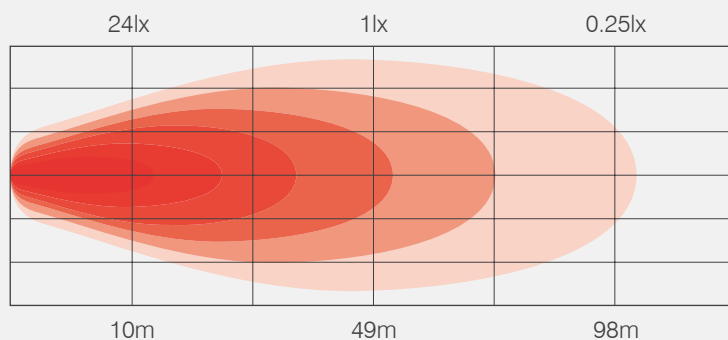
**ECE R23
APPROVED
REVERSE LAMP**



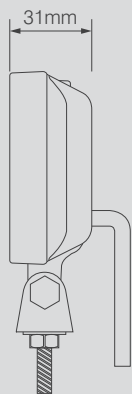
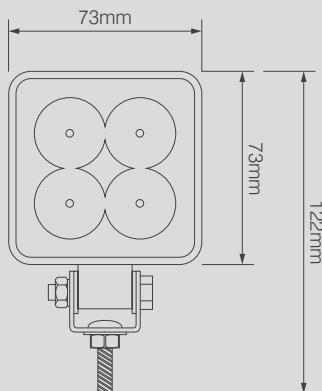
896FBM ROUND REVERSE / WORK LAMP

6 x 3W LEDs

Dimensions (mm):	89 x 89 x 58
Voltage:	12/24V Multivolt
Beam Type:	Flood
Housing:	Black Powder-Coated Die Cast Aluminium
Lens:	Polycarbonate
Weight (kg):	0.6kg
Ingress Protection:	IP67
Raw Lumens:	1440lm
Effective Lumens:	806lm
Current Draw (13.8 / 28V):	1.46A / 0.7A
Colour Temperature:	6000K
Warranty:	2 Years



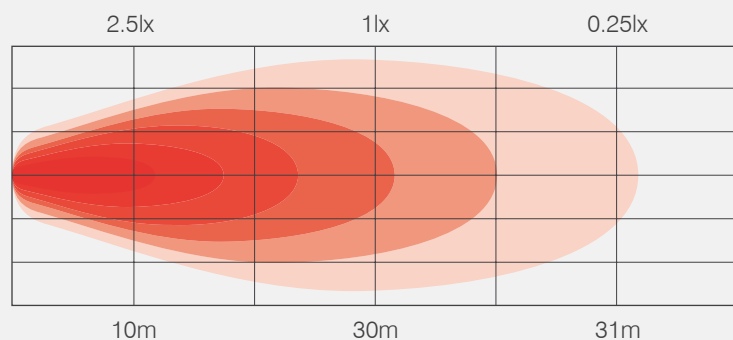
**ECE R23
APPROVED
REVERSE LAMP**



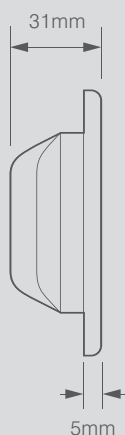
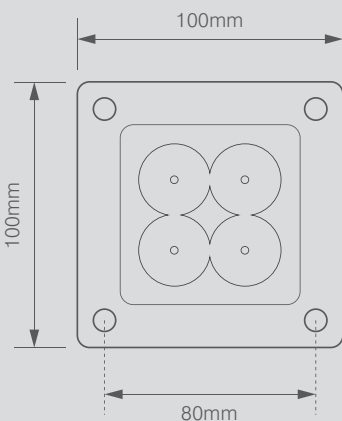
7312BM COMPACT SQUARE REVERSE / WORK LAMP

4 x 3W LEDs

Dimensions (mm):	73 x 73 x 31
Voltage:	12/24V Multivolt
Beam Type:	Flood
Housing:	Black Powder-Coated Die Cast Aluminium
Lens:	Polycarbonate
Weight (kg):	0.2kg
Ingress Protection:	IP67
Raw Lumens:	660lm
Effective Lumens:	489lm
Current Draw (13.8 / 28V):	0.59A / 0.27A
Colour Temperature:	6000K
Warranty:	5 Years



**ECE R23
APPROVED
REVERSE LAMP**



Cut Out Size
75 x 75mm

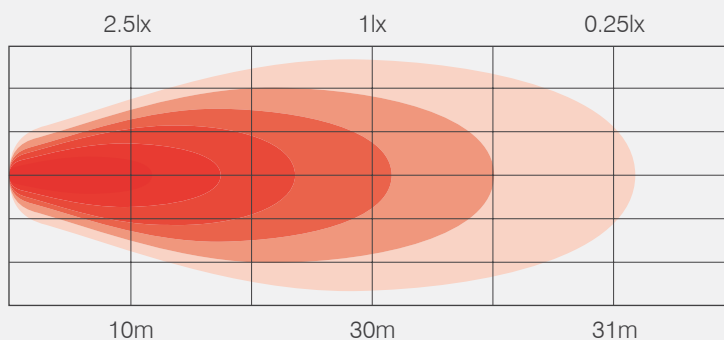
NEW



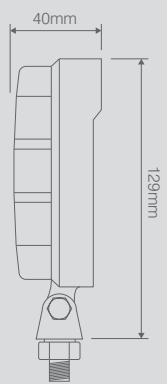
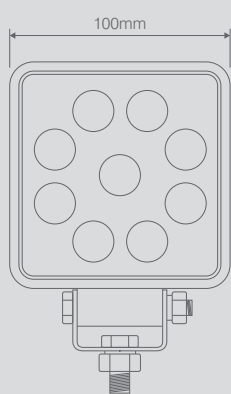
73120BM

COMPACT SQUARE REVERSE / WORK LAMP recess mounted
4 x 3W LEDs

Dimensions (mm):	73 x 73 x 31
Voltage:	12/24V Multivolt
Beam Type:	Flood
Housing:	Black Powder-Coated Die Cast Aluminium
Lens:	Polycarbonate
Weight (kg):	0.2kg
Ingress Protection:	IP67
Raw Lumens:	660lm
Effective Lumens:	489lm
Current Draw (13.8 / 28V):	0.59A / 0.27A
Colour Temperature:	6000K
Warranty:	5 Years



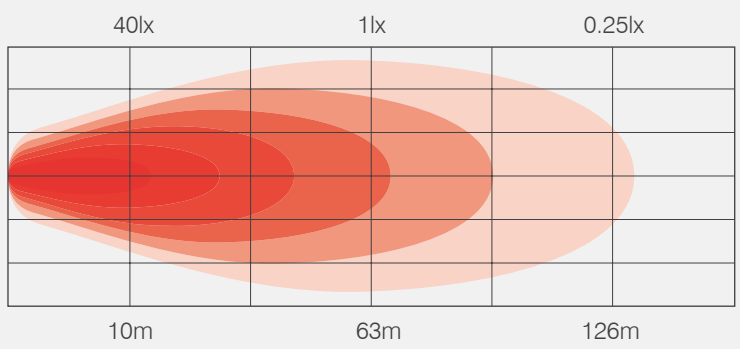
**ECE R23
APPROVED
REVERSE LAMP**



10015BM
IP69K HIGH-POWER SQUARE FLOOD LAMP

9 x 1.5W LEDs

Dimensions (mm):	129 x 100 x 40
Voltage:	12/24V Multivolt
Beam Type:	Flood
Housing:	Black Powder-Coated Die Cast Aluminium
Lens:	Polycarbonate
Weight (kg):	0.48kg
Ingress Protection:	IP67 + IP69K
Raw Lumens:	1710lm
Effective Lumens:	1210lm
Current Draw (13.8 / 28V):	1.1A / 0.5A
Colour Temperature:	6000K
Warranty:	2 Years

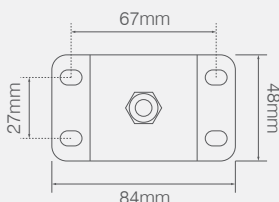


NEW

**10015BMSHB
SQUARE FLOOD LAMP**

Swivel mount, handle, on/off switch and AMP connector

Includes fly lead:



NEW

**10015BMP-MM
SQUARE FLOOD LAMP**

Magnetic mounting base, Deutsch connector and cigar plug

Includes 4.6m coiled cable with cigar-plug:



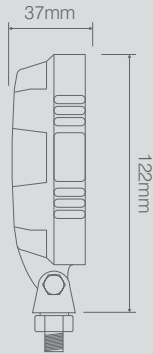
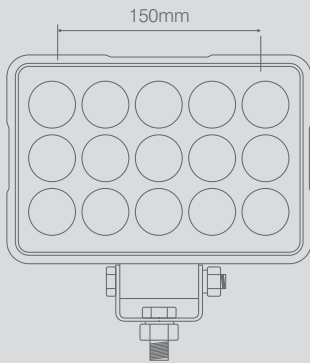
NEW

**10015BMP
SQUARE FLOOD LAMP**

AMP connector

Includes fly lead:

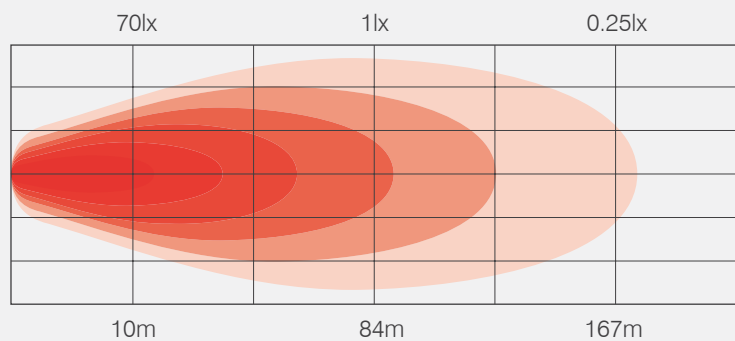




15045BM IP69K HIGH-POWER RECTANGULAR FLOOD LAMP

15 x 1.5W LEDs

Dimensions (mm):	150 x 122 x 37
Voltage:	12/24V Multivolt
Beam Type:	Flood
Housing:	Black Powder-Coated Die Cast Aluminium
Lens:	Polycarbonate
Weight (kg):	0.48kg
Ingress Protection:	IP67 + IP69K
Raw Lumens:	2850lm
Effective Lumens:	1978lm
Current Draw (13.8 / 28V):	1.7A / 0.8A
Colour Temperature:	6000K
Warranty:	2 Years

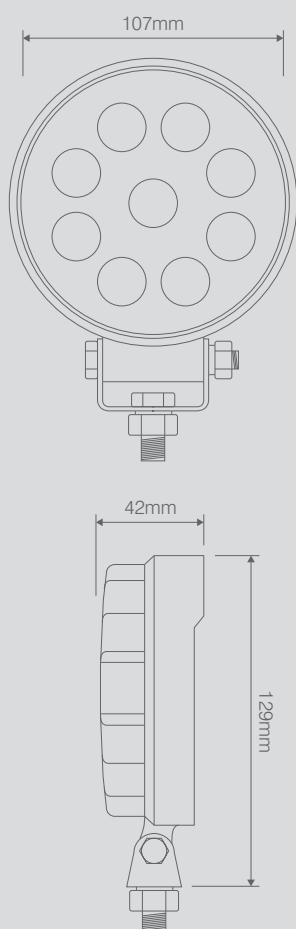




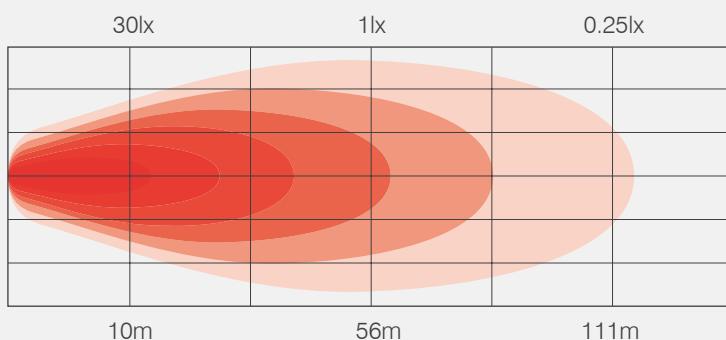
10715BM

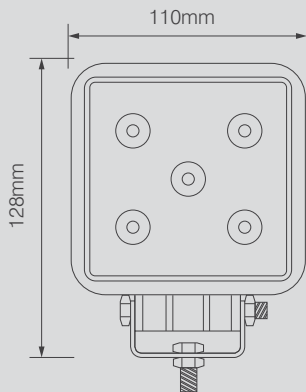
IP69K HIGH-POWER ROUND FLOOD LAMP

9 x 1.5W LEDs



Dimensions (mm):	129 x 107 x 42
Voltage:	12/24V Multivolt
Beam Type:	Flood
Housing:	Black Powder-Coated Die Cast Aluminium
Lens:	Polycarbonate
Weight (kg):	0.48kg
Ingress Protection:	IP67 + IP69K
Raw Lumens:	1710lm
Effective Lumens:	1210lm
Current Draw (13.8 / 28V):	1.1A / 0.5A
Colour Temperature:	6000K
Warranty:	2 Years





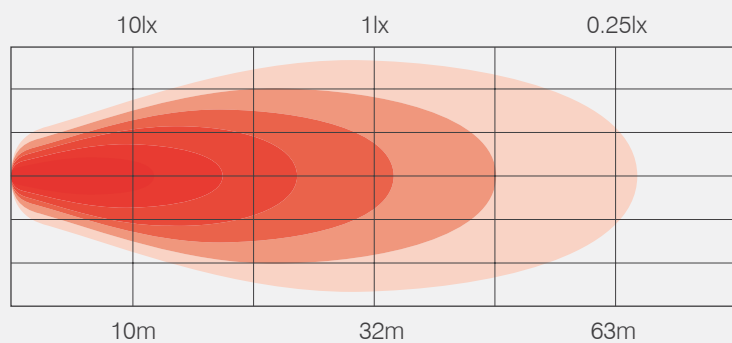
**EXTENDED
VOLTAGE
VERSION P.49**

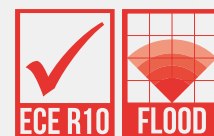
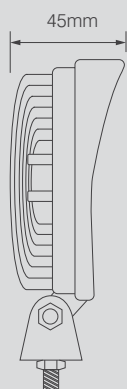
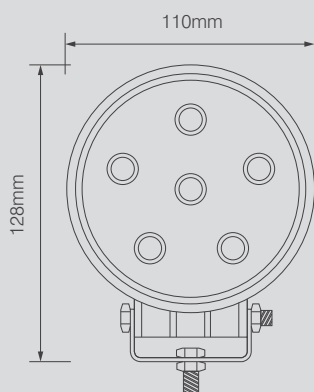


11015BM SQUARE FLOOD LAMP

5 x 3W LEDs

Dimensions (mm):	128 x 110 x 45
Voltage:	12/24V Multivolt
Beam Type:	Flood
Housing:	Black Powder-Coated Die Cast Aluminium
Lens:	Polycarbonate
Weight (kg):	0.72kg
Ingress Protection:	IP67
Raw Lumens:	1200lm
Effective Lumens:	756lm
Current Draw (13.8 / 28V):	1.3A / 0.6A
Colour Temperature:	6000K
Warranty:	2 Years

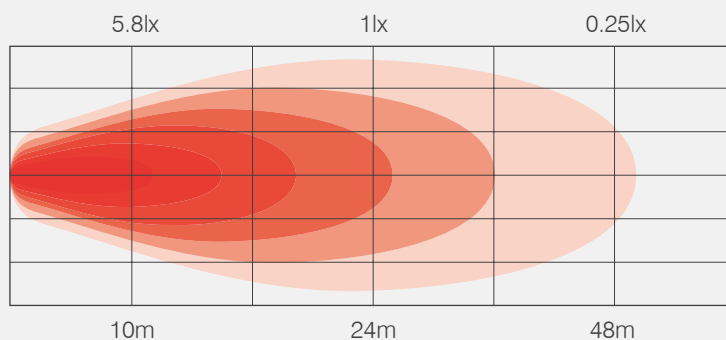


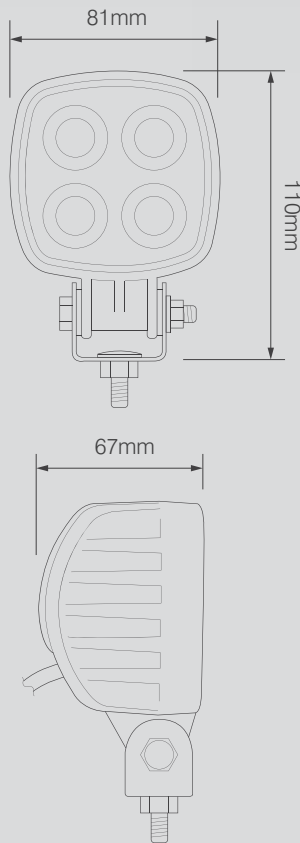
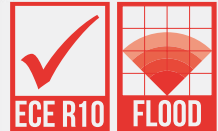


11118BM ROUND FLOOD LAMP

6 x 3W LEDs

Dimensions (mm):	128 x 110 x 45
Voltage:	12/24V Multivolt
Beam Type:	Flood
Housing:	Black Powder-Coated Die Cast Aluminium
Lens:	Polycarbonate
Weight (kg):	0.7kg
Ingress Protection:	IP67
Raw Lumens:	1440lm
Effective Lumens:	773lm
Current Draw (13.8 / 28V):	1.5A / 0.7A
Colour Temperature:	6000K
Warranty:	2 Years





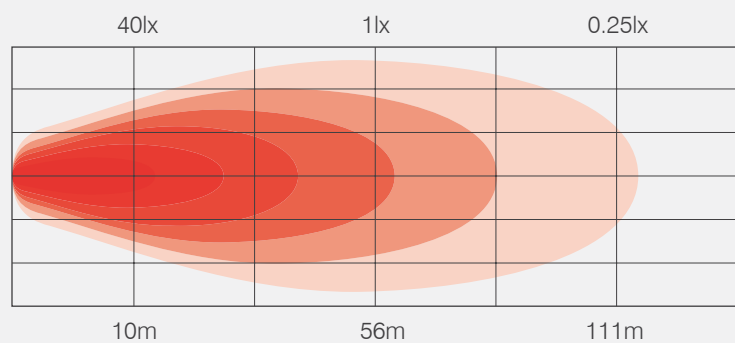
8112BM - Black

8112WM - White

COMPACT SQUARE WORK LAMP

4 x 3W LEDs

Dimensions (mm):	81 x 110 x 67
Voltage:	12/24V Multivolt
Beam Type:	Flood
Housing:	Powder-Coated Die Cast Aluminium
Lens:	Polycarbonate
Weight (kg):	0.5kg
Ingress Protection:	IP67
Raw Lumens:	1000lm
Effective Lumens:	800lm
Current Draw (13.8 / 28V):	0.1A / 0.05A
Colour Temperature:	6000K
Warranty:	3 Years



EXTENDED
VOLTAGE
VERSION P.49

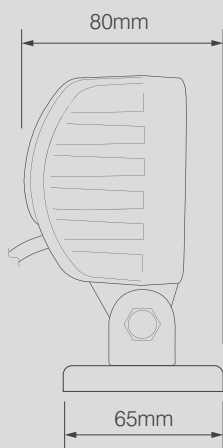
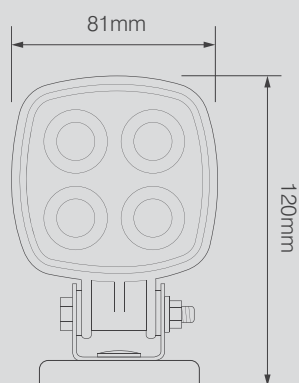


Includes 3m coiled cable with cigar-plug

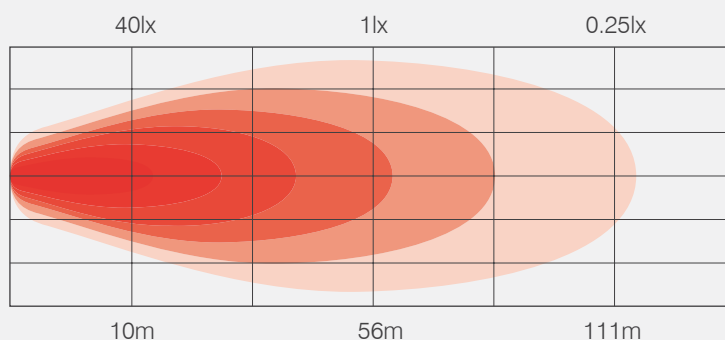


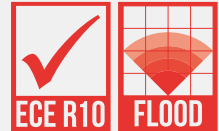
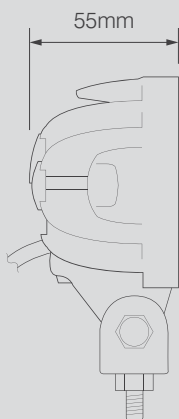
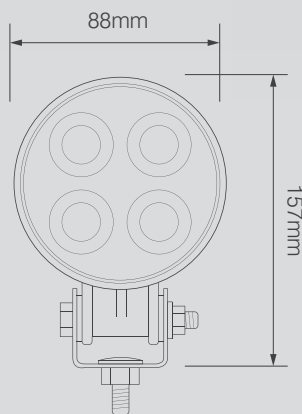
NEW

8112BM-MM
ROUND FLOOD LAMP with magnetic mounting base
 4 x 3W LEDs



Dimensions (mm):	81 x 110 x 67
Voltage:	12/24V Multivolt
Beam Type:	Flood
Housing:	Powder-Coated Die Cast Aluminium
Lens:	Polycarbonate
Weight (kg):	0.5kg
Ingress Protection:	IP67
Raw Lumens:	1000lm
Effective Lumens:	800lm
Current Draw (13.8 / 28V):	0.1A / 0.05A
Colour Temperature:	6000K
Warranty:	3 Years





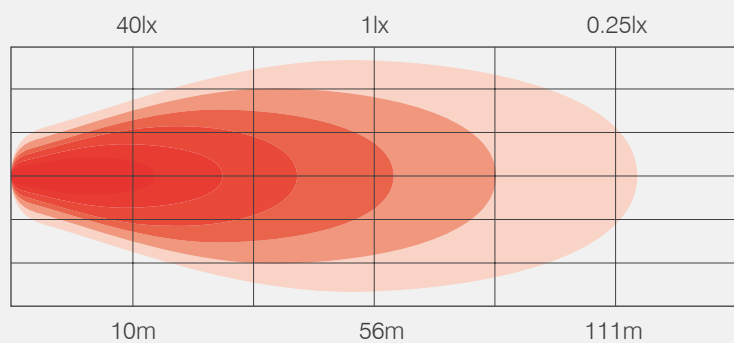
9012BM - Black

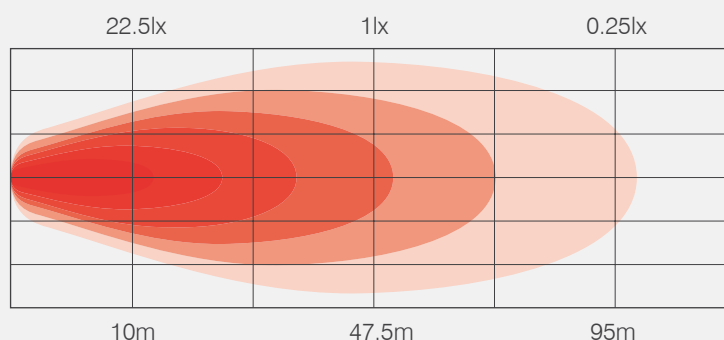
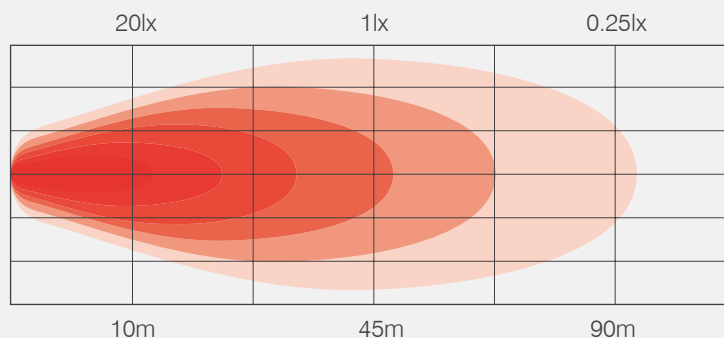
9012WM - White

COMPACT ROUND WORK LAMP

4 x 3W LEDs

Dimensions (mm):	88 x 157 x 55
Voltage:	12/24V Multivolt
Beam Type:	Flood
Housing:	Powder-Coated Die Cast Aluminium
Lens:	Polycarbonate
Weight (kg):	0.45kg
Ingress Protection:	IP67
Raw Lumens:	1000lm
Effective Lumens:	800lm
Current Draw (13.8 / 28V):	0.1A / 0.05A
Colour Temperature:	6000K
Warranty:	3 Years





9012BMR - Red Light Output

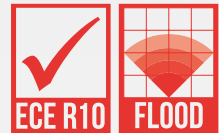
9012BMA - Amber Light Output

COMPACT ROUND WORK LAMP – COLOURED LIGHT OUTPUT

4 x 3W LEDs



Dimensions (mm):	88 x 157 x 55
Voltage:	12/24V Multivolt
Beam Type:	Flood
Housing:	Black Powder-Coated Die Cast Aluminium
Lens:	Clear Polycarbonate
Weight (kg):	0.45kg
Ingress Protection:	IP67
Raw Lumens:	Amber: 380lm, Red: 330lm
Effective Lumens:	Amber: 320lm, Red: 280lm
Current Draw (13.8 / 28V):	0.6A / 0.4A
Warranty:	3 Years

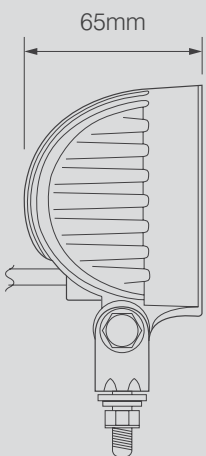
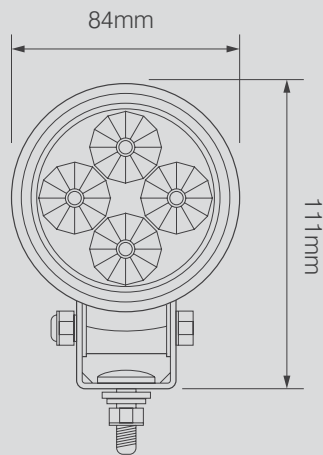


8312BM - Black

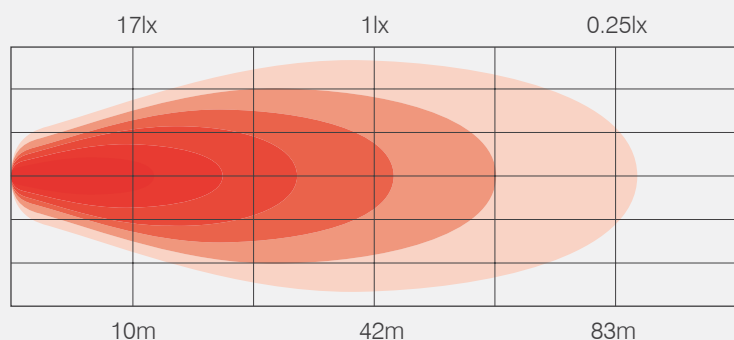
8312WM - White

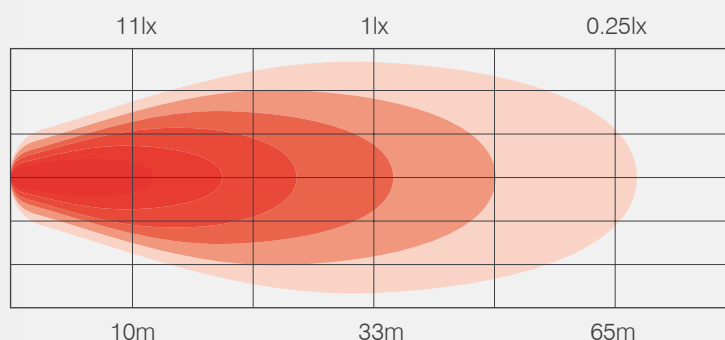
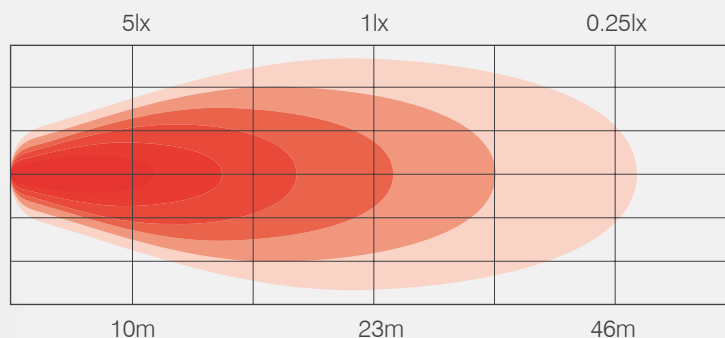
COMPACT ROUND WORK LAMP

4 x 3W LEDs



Dimensions (mm):	84 x 111 x 65
Voltage:	12/24V Multivolt
Beam Type:	Flood
Housing:	Powder-Coated Die Cast Aluminium
Lens:	Polycarbonate
Weight (kg):	0.4kg
Ingress Protection:	IP67
Raw Lumens:	800lm
Effective Lumens:	500lm
Current Draw (13.8 / 28V):	0.68A / 0.36A
Colour Temperature:	6000K
Warranty:	3 Years





8312BMR - Red Light Output

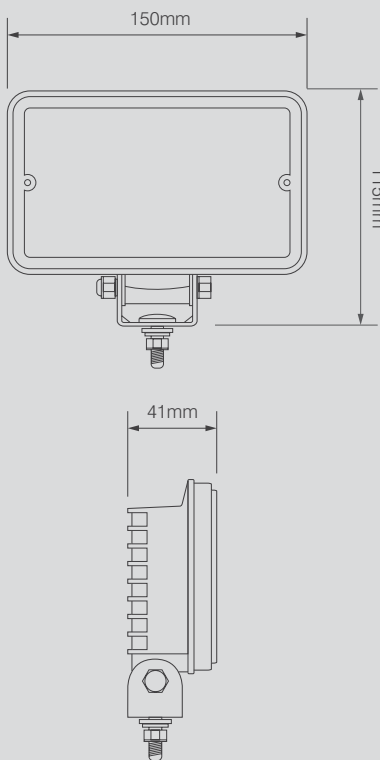
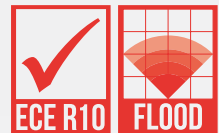
8312BMA - Amber Light Output

COMPACT ROUND WORK LAMP – COLOURED LIGHT OUTPUT

4 x 3W LEDs

Dimensions (mm):	84 x 111 x 65
Voltage:	12/24V Multivolt
Beam Type:	Flood
Housing:	Black Powder-Coated Die Cast Aluminium
Lens:	Clear Polycarbonate
Weight (kg):	0.4kg
Ingress Protection:	IP67
Raw Lumens:	440lm
Effective Lumens:	Amber: 271lm, Red: 185lm
Current Draw (13.8 / 28V):	0.68A / 0.36A
Warranty:	3 Years





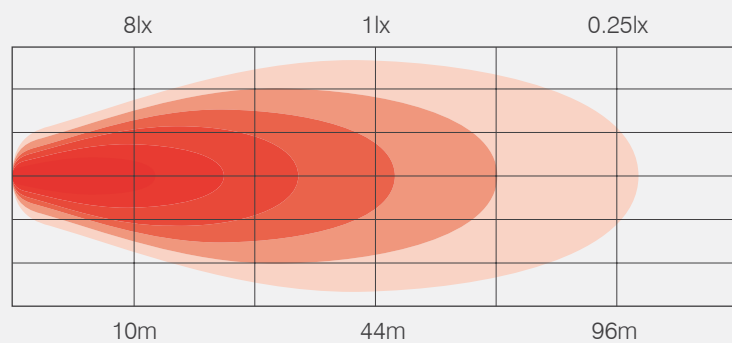
7451BM - Black

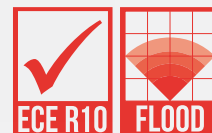
7451WM - White

RECTANGULAR WORK LAMP

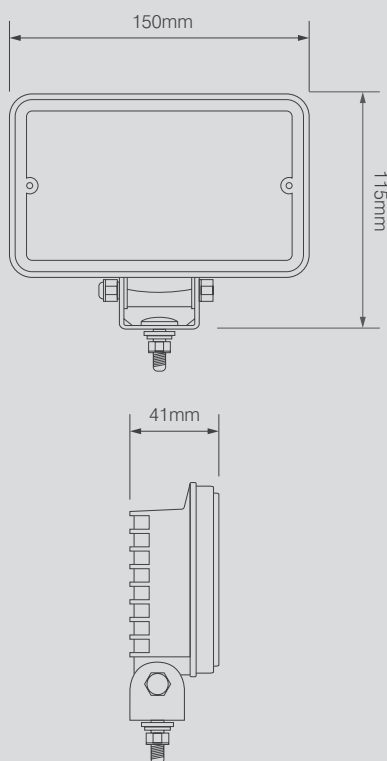
6 x 1W LEDs

Dimensions (mm):	150 x 115 x 41
Voltage:	12/24V Multivolt
Beam Type:	Flood
Housing:	Powder-Coated Die Cast Aluminium
Lens:	Polycarbonate
Weight (kg):	0.45kg
Ingress Protection:	IP67
Raw Lumens:	720lm
Effective Lumens:	540lm
Current Draw (13.8 / 28V):	0.75A / 0.38A
Colour Temperature:	6000K
Warranty:	3 Years

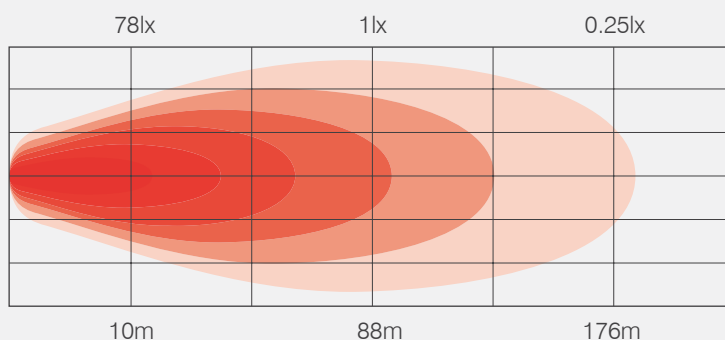


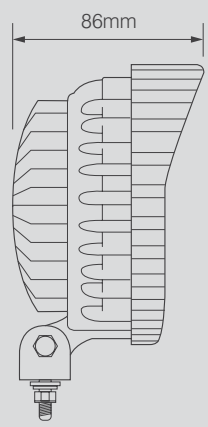
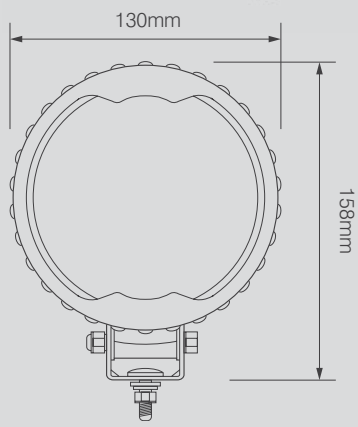
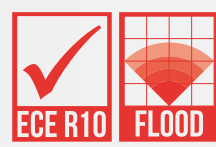

NEW

7452BM - Black
HIGH-POWER E-COATED RECTANGULAR WORK LAMP
 6 x 1W LEDs



Dimensions (mm):	150 x 115 x 41
Voltage:	12/24V Multivolt
Beam Type:	Flood
Housing:	Electro-Coated Die Cast Aluminium
Lens:	Polycarbonate
Weight (kg):	0.45kg
Ingress Protection:	IP67
Raw Lumens:	860lm
Effective Lumens:	660lm
Current Draw (13.8 / 28V):	0.75A / 0.38A
Colour Temperature:	6000K
Warranty:	3 Years



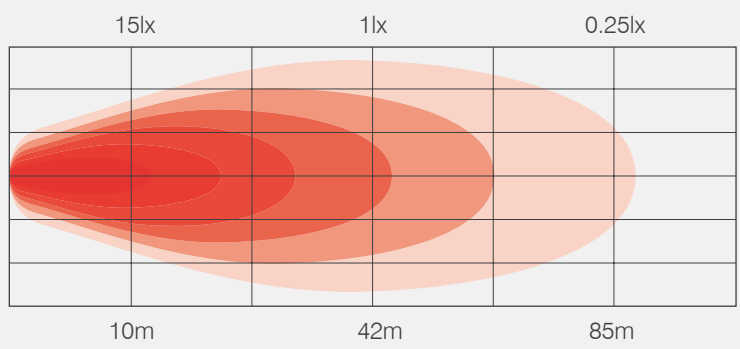


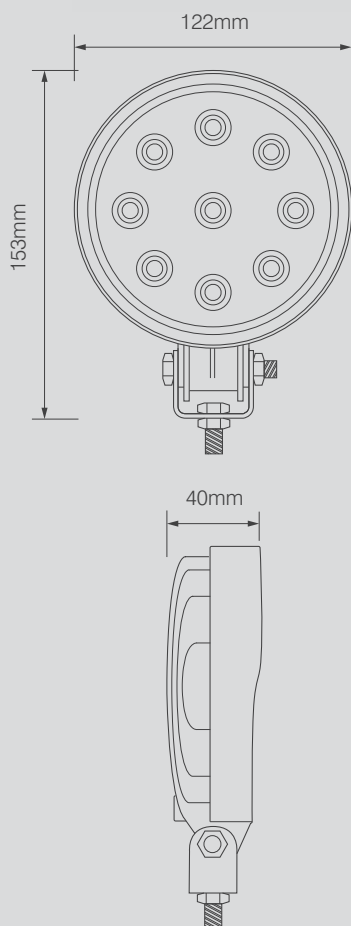
- 7450B12** - Black 12V **7450B24** - Black 24V
- 7450W12** - White 12V **7450W24** - White 24V

ROUND WORK LAMP

6 x 1W LEDs

Dimensions (mm):	158 x 130 x 86
Voltage:	12V or 24V Specific
Beam Type:	Flood
Housing:	Powder-Coated Die Cast Aluminium
Lens:	Polycarbonate
Weight (kg):	0.6kg
Ingress Protection:	IP67
Raw Lumens:	720lm
Effective Lumens:	540lm
Current Draw (13.8 / 28V):	1.29A / 0.3A
Colour Temperature:	6000K
Warranty:	3 Years



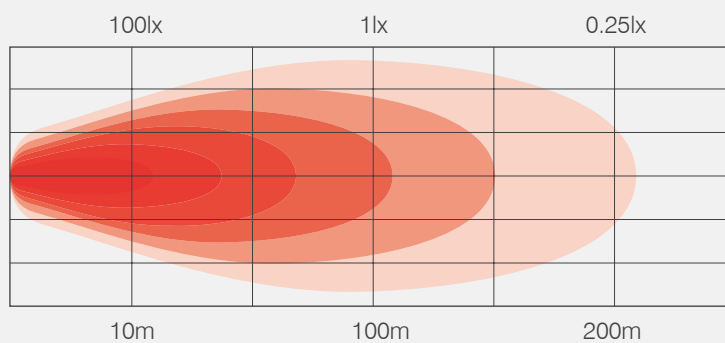


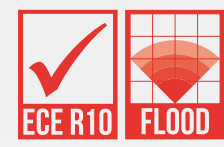
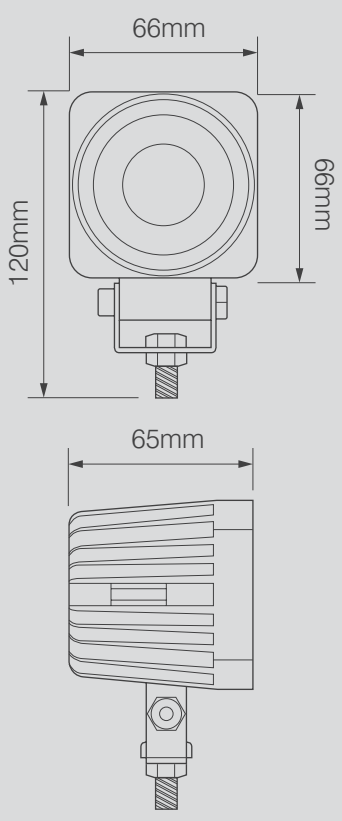
12227BM

HIGH-POWERED ROUND FLOOD LAMP

9 x 3W LEDs

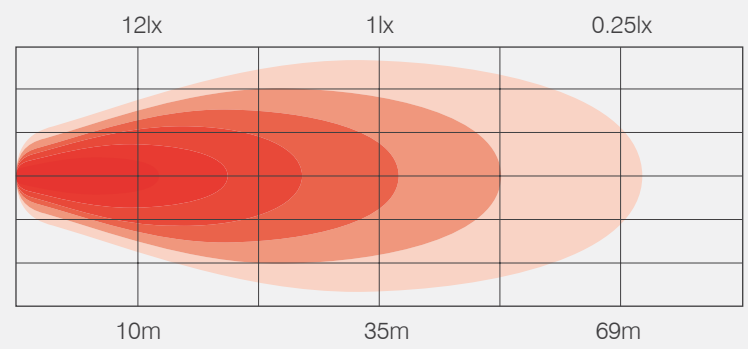
Dimensions (mm):	153 x 122 x 40
Voltage:	12/24V Multivolt
Beam Type:	Flood
Housing:	Powder-Coated Die Cast Aluminium
Lens:	Polycarbonate
Weight (kg):	0.55kg
Ingress Protection:	IP67
Raw Lumens:	2300lm
Effective Lumens:	1530lm
Current Draw (13.8 / 28V):	1.75A / 0.86A
Colour Temperature:	6000K
Warranty:	2 Years

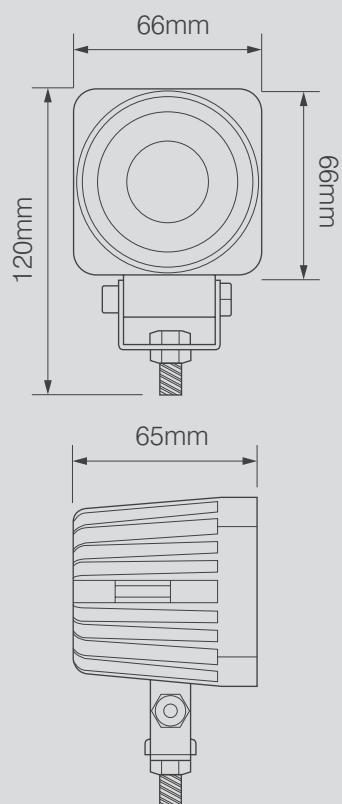




6610FBM COMPACT SQUARE FLOOD LAMP 1 x 10W LED

Dimensions (mm):	120 x 66 x 65
Voltage:	12/24V Multivolt
Beam Type:	Flood
Housing:	Black Powder-Coated Die Cast Aluminium
Lens:	Polycarbonate
Weight (kg):	0.5kg
Ingress Protection:	IP67
Raw Lumens:	900lm
Effective Lumens:	586lm
Current Draw (13.8 / 28V):	0.9A / 0.4A
Colour Temperature:	6000K
Warranty:	2 Years



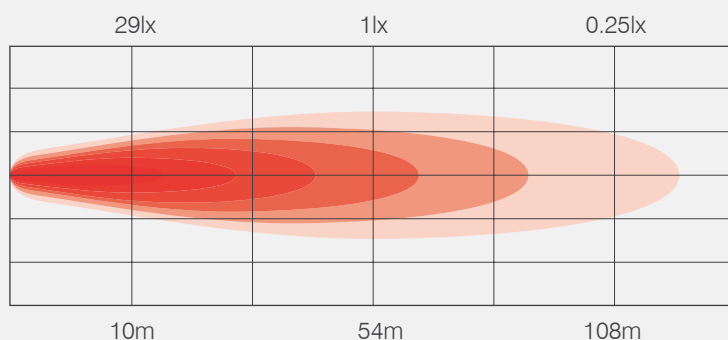


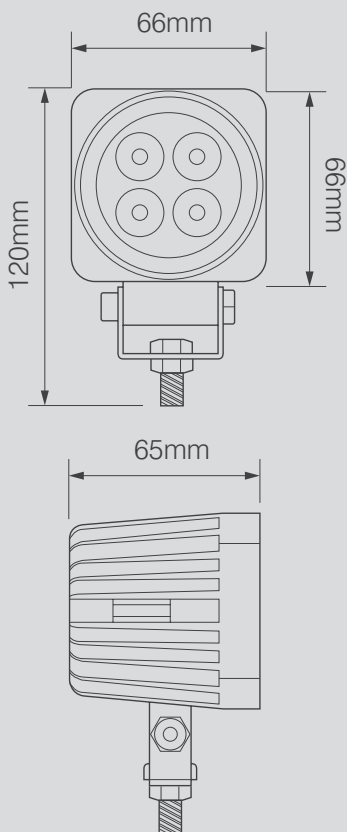
6610SBM

COMPACT SQUARE SPOT LAMP

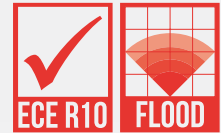
1 x 10W LED

Dimensions (mm):	120 x 66 x 65
Voltage:	12/24V Multivolt
Beam Type:	Spot
Housing:	Black Powder-Coated Die Cast Aluminium
Lens:	Polycarbonate
Weight (kg):	0.5kg
Ingress Protection:	IP67
Raw Lumens:	900lm
Effective Lumens:	556lm
Current Draw (13.8 / 28V):	0.9A / 0.4A
Colour Temperature:	6000K
Warranty:	2 Years





**EXTENDED
VOLTAGE
VERSION P.49**

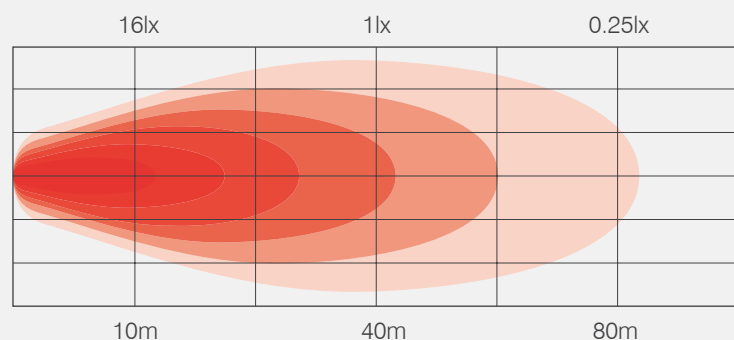


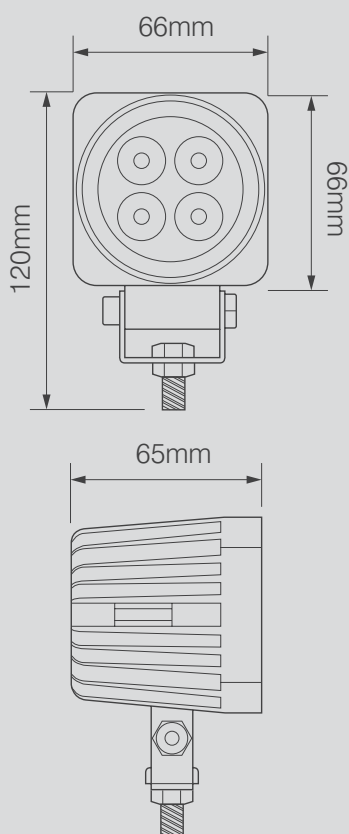
6612FBM

COMPACT SQUARE FLOOD LAMP

4 x 3W LED

Dimensions (mm):	120 x 66 x 65
Voltage:	12/24V Multivolt
Beam Type:	Flood
Housing:	Black Powder-Coated Die Cast Aluminium
Lens:	Polycarbonate
Weight (kg):	0.53kg
Ingress Protection:	IP67
Raw Lumens:	960lm
Effective Lumens:	733lm
Current Draw (13.8 / 28V):	0.9A / 0.4A
Colour Temperature:	6000K
Warranty:	2 Years



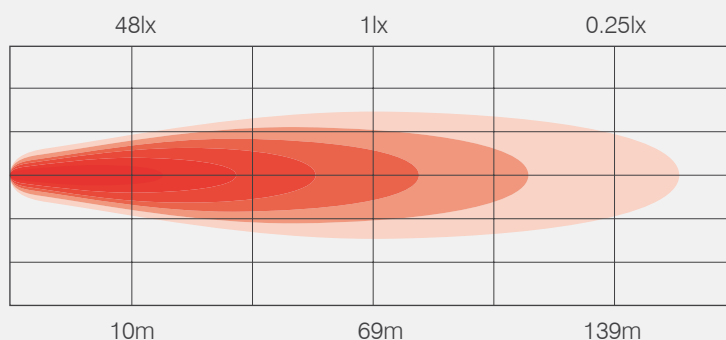


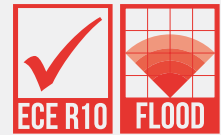
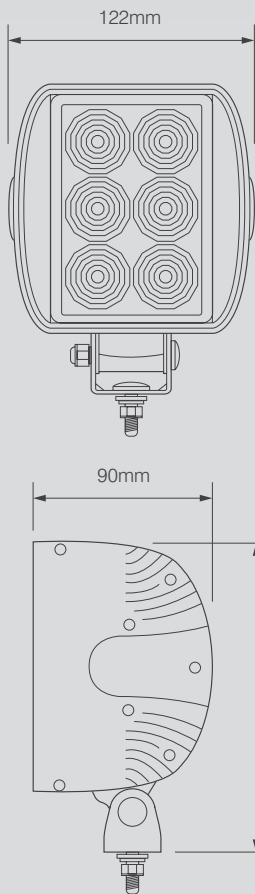
6612SBM

COMPACT SQUARE SPOT LAMP

4 x 3W LED

Dimensions (mm):	120 x 66 x 65
Voltage:	12/24V Multivolt
Beam Type:	Spot
Housing:	Black Powder-Coated Die Cast Aluminium
Lens:	Polycarbonate
Weight (kg):	0.53kg
Ingress Protection:	IP67
Raw Lumens:	960lm
Effective Lumens:	635lm
Current Draw (13.8 / 28V):	0.9A / 0.4A
Colour Temperature:	6000K
Warranty:	2 Years

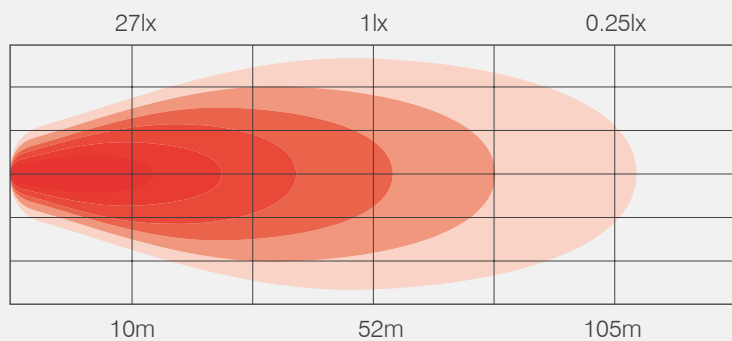


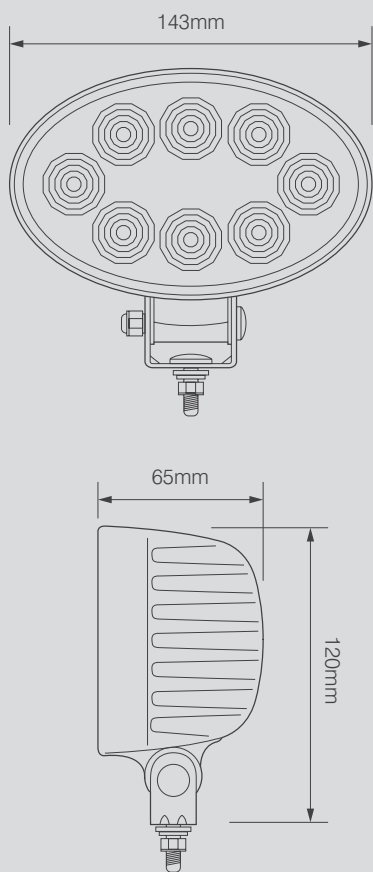
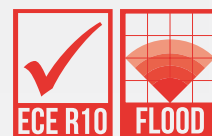


8318BM RECTANGULAR FLOOD LAMP

6 x 3W LEDs

Dimensions (mm):	122 x 157 x 90
Voltage:	12/24V Multivolt
Beam Type:	Flood
Housing:	Black Aluminium
Lens:	Polycarbonate
Weight (kg):	0.9kg
Ingress Protection:	IP67
Raw Lumens:	1500lm
Effective Lumens:	764lm
Current Draw (13.8 / 28V):	0.86A / 0.45A
Colour Temperature:	6000K
Warranty:	3 Years

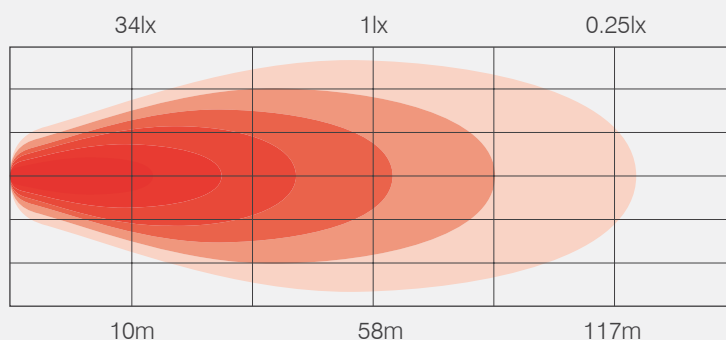


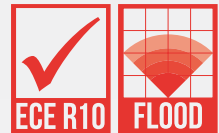
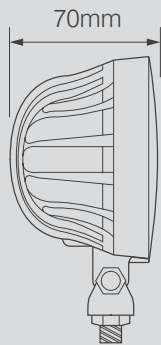
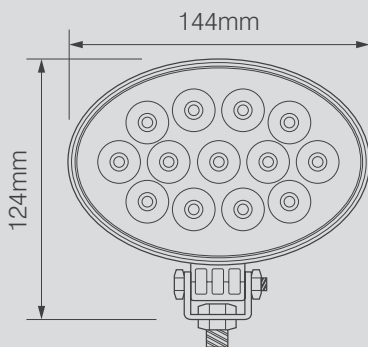


8324BM OVAL FLOOD LAMP

8 x 3W LEDs

Dimensions (mm):	143 x 120 x 65
Voltage:	12/24V Multivolt
Beam Type:	Flood
Housing:	Black Powder-Coated Die Cast Aluminium
Lens:	Polycarbonate
Weight (kg):	0.7kg
Ingress Protection:	IP67
Raw Lumens:	2000lm
Effective Lumens:	1045lm
Current Draw (13.8 / 28V):	1.34A / 0.7A
Colour Temperature:	6000K
Warranty:	3 Years

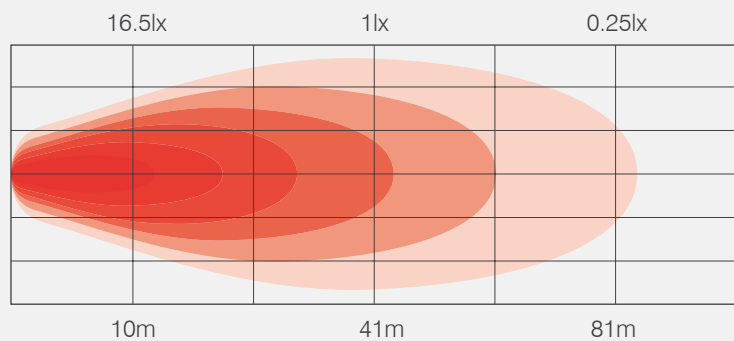


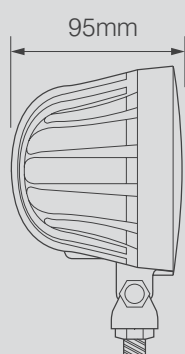
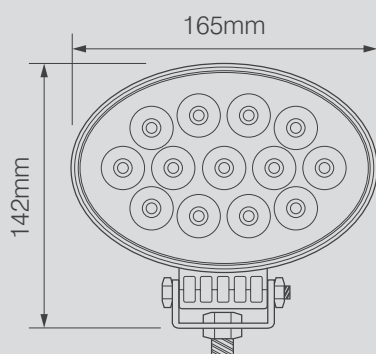


14439BM HIGH-POWERED OVAL FLOOD LAMP

13 x 3W LEDs

Dimensions (mm):	124 x 144 x 70
Voltage:	12/24V Multivolt
Beam Type:	Flood
Housing:	Black Powder-Coated Die Cast Aluminium
Lens:	Polycarbonate
Weight (kg):	0.72kg
Ingress Protection:	IP67
Raw Lumens:	3510lm
Effective Lumens:	1740lm
Current Draw (13.8 / 28V):	2.5A / 1.25A
Colour Temperature:	6000K
Warranty:	2 Years

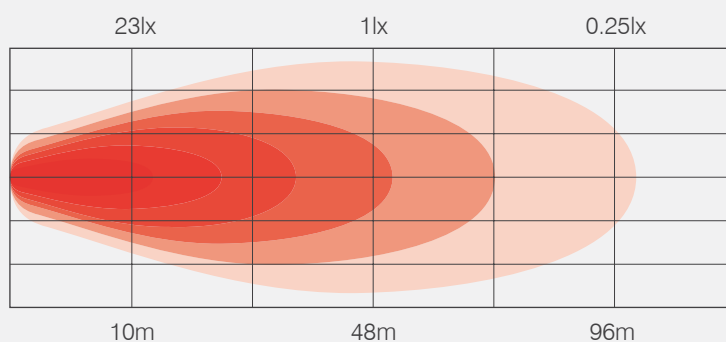


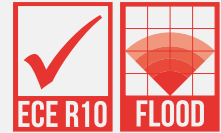


16565BM HIGH-POWERED OVAL FLOOD LAMP

13 x 5W LEDs

Dimensions (mm):	142 x 165 x 95
Voltage:	12/24V Multivolt
Beam Type:	Flood
Housing:	Black Powder-Coated Die Cast Aluminium
Lens:	Polycarbonate
Weight (kg):	1.2kg
Ingress Protection:	IP67
Raw Lumens:	5460lm
Effective Lumens:	2622lm
Current Draw (13.8 / 28V):	3.8A / 1.9A
Colour Temperature:	6000K
Warranty:	2 Years



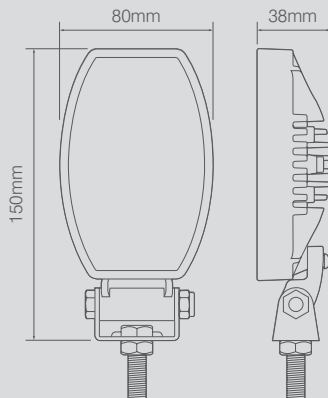
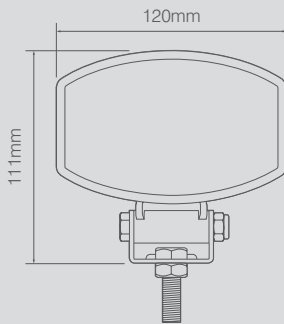


NEW

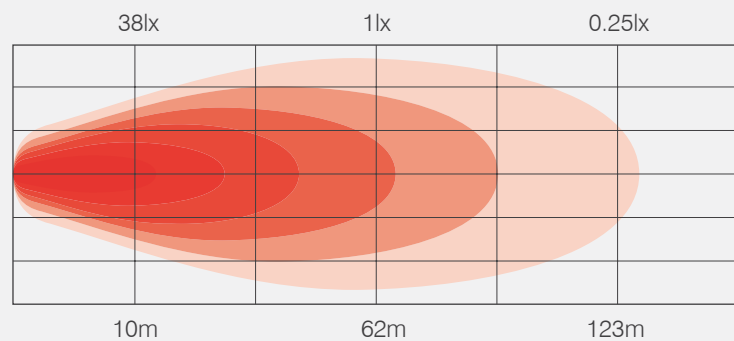
15030BMV

OVAL FLOOD LAMP horizontal or vertical mount

10 x 1.5W LEDs



Dimensions (mm):	(v)80 x 150 x 38, (h)120 x 111 x 38
Voltage:	12/24V Multivolt
Beam Type:	Flood
Housing:	Black Powder-Coated Die Cast Aluminium
Lens:	Polycarbonate
Weight (kg):	0.43kg
Ingress Protection:	IP67
Raw Lumens:	2000lm
Effective Lumens:	1375lm
Current Draw (13.8 / 28V):	1.18A / 0.59A
Colour Temperature:	6000K
Warranty:	2 Years



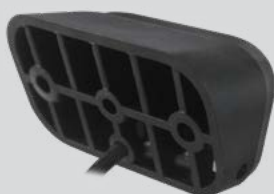


Flat surface mounting grommet supplied as standard with each lamp



7705RP2

Curved rubber mounting pad; designed to fit onto tubing



7705RP3

Angled rubber mounting pad; designed to direct the lamp at a 30° angle toward the ground

7705BM – Black

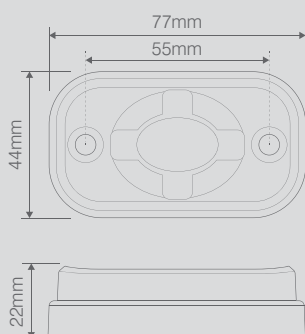
7709BMB – Blue Light Output 3 x 3W LEDs

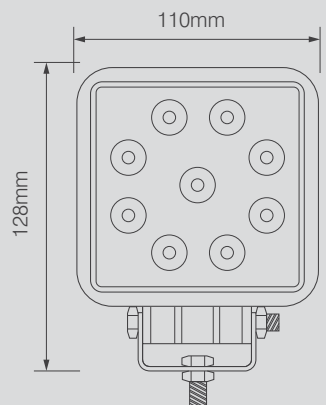
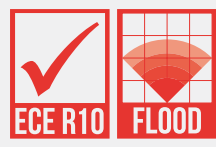
7705WM – White

HEAVY-DUTY COMPACT CLEARANCE/SCENE LAMP

3 x 1.5W LEDs

Dimensions (mm):	77 x 44 x 22
Voltage:	12/24V Multivolt
Beam Type:	Flood
Housing:	Powder-Coated Die Cast Aluminium
Lens:	Polycarbonate
Weight (kg):	0.15kg
Ingress Protection:	IP67 + IP69K
Raw Lumens:	570lm
Effective Lumens:	302lm
Current Draw (13.8 / 28V):	0.3A / 0.1A
Colour Temperature:	6000K
Warranty:	3 Years





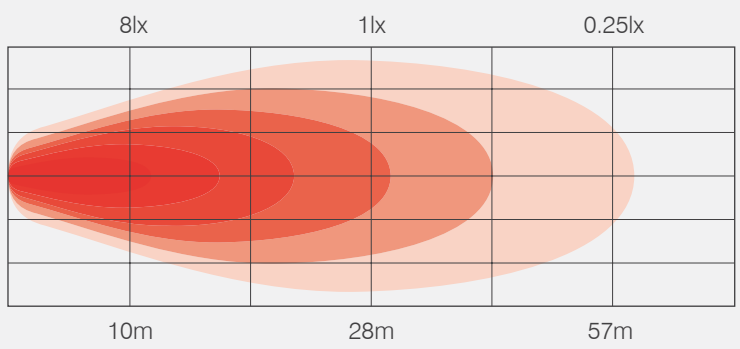
11027BM – HIGH-POWERED SQUARE FLOOD LAMP

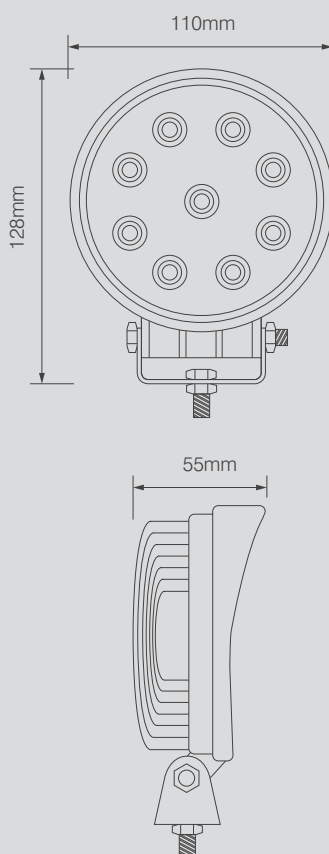


EXTENDED VOLTAGE VERSION P.49

11027BM HIGH-POWERED SQUARE FLOOD LAMP 9 x 3W LEDs

Dimensions (mm):	128 x 110 x 55
Voltage:	12/24V Multivolt
Beam Type:	Flood
Housing:	Black Powder-Coated Die Cast Aluminium
Lens:	Polycarbonate
Weight (kg):	0.83kg
Ingress Protection:	IP67
Raw Lumens:	2160lm
Effective Lumens:	1065lm
Current Draw (13.8 / 28V):	1.8A / 0.9A
Colour Temperature:	6000K
Warranty:	2 Years





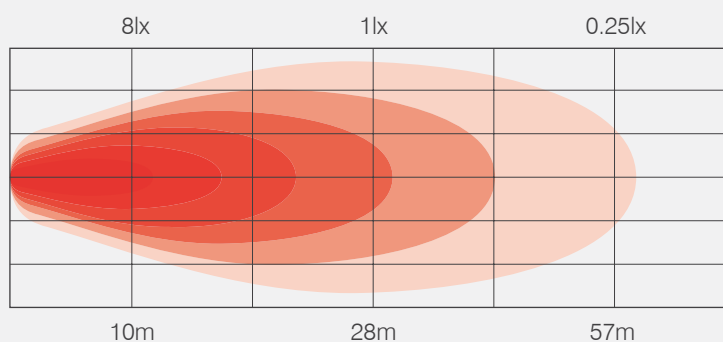
11127BM HIGH-POWERED ROUND FLOOD LAMP

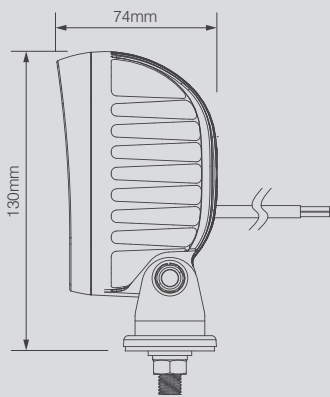
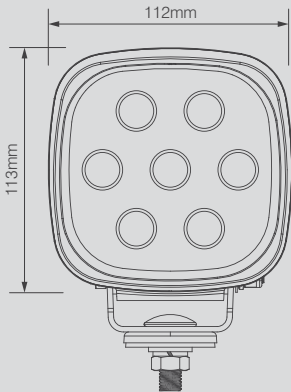
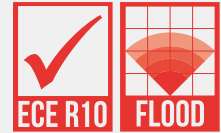
9 x 3W LEDs

Dimensions (mm):	128 x 110 x 55
Voltage:	12/24V Multivolt
Beam Type:	Flood
Housing:	Black Powder-Coated Die Cast Aluminium
Lens:	Polycarbonate
Weight (kg):	0.75kg
Ingress Protection:	IP67
Raw Lumens:	2160lm
Effective Lumens:	1017lm
Current Draw (13.8 / 28V):	1.8A / 0.9A
Colour Temperature:	6000K
Warranty:	2 Years



**EXTENDED
VOLTAGE
VERSION P.49**

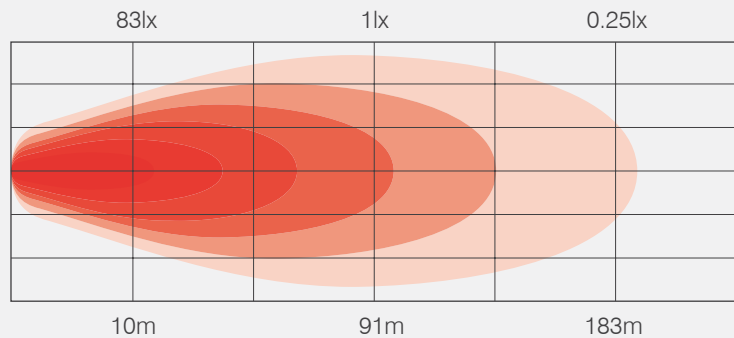


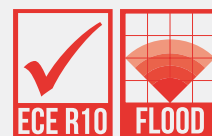
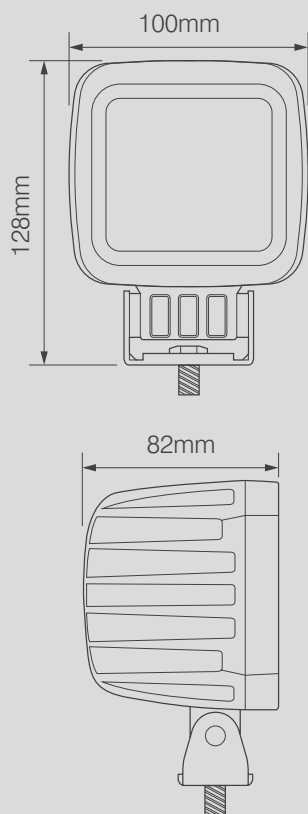


11235BM HEAVY-DUTY FLOOD LAMP

7 x 5W LEDs

Dimensions (mm):	130 x 112 x 74
Voltage:	12/24V Multivolt
Beam Type:	Flood
Housing:	Black Powder-Coated Die Cast Aluminium
Lens:	Polycarbonate
Weight (kg):	0.95kg
Ingress Protection:	IP67
Raw Lumens:	3500lm
Effective Lumens:	2042lm
Current Draw (13.8 / 28V):	2.03A / 1.06A
Colour Temperature:	6000K
Warranty:	3 Years

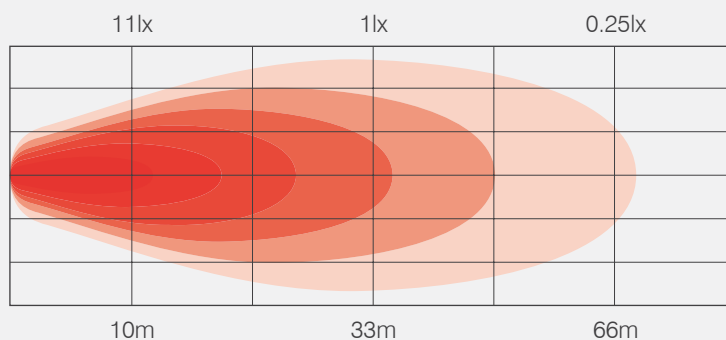


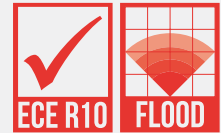
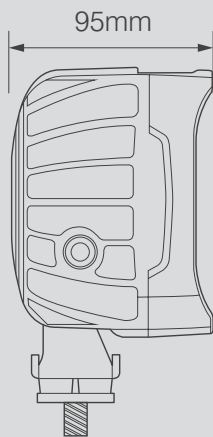
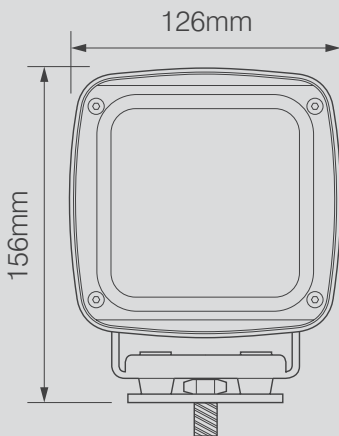


10030BM HEAVY-DUTY SQUARE FLOOD LAMP

6 x 5W LEDs

Dimensions (mm):	128 x 100 x 82
Voltage:	12/24V Multivolt
Beam Type:	Flood
Housing:	Black Powder-Coated Die Cast Aluminium
Lens:	Polycarbonate
Weight (kg):	1.1kg
Ingress Protection:	IP67
Raw Lumens:	2520lm
Effective Lumens:	1331lm
Current Draw (13.8 / 24V):	2.3A / 1.1A
Colour Temperature:	6000K
Warranty:	2 Years

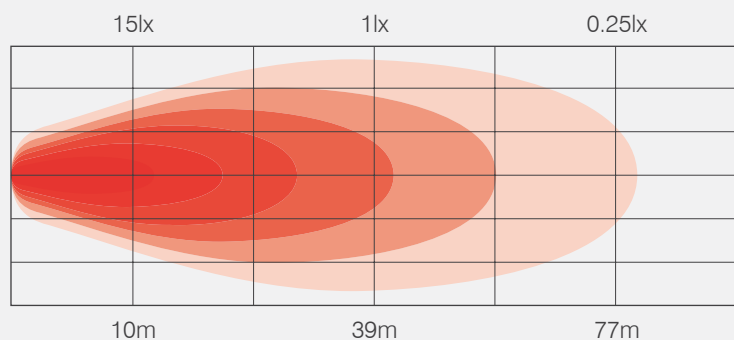


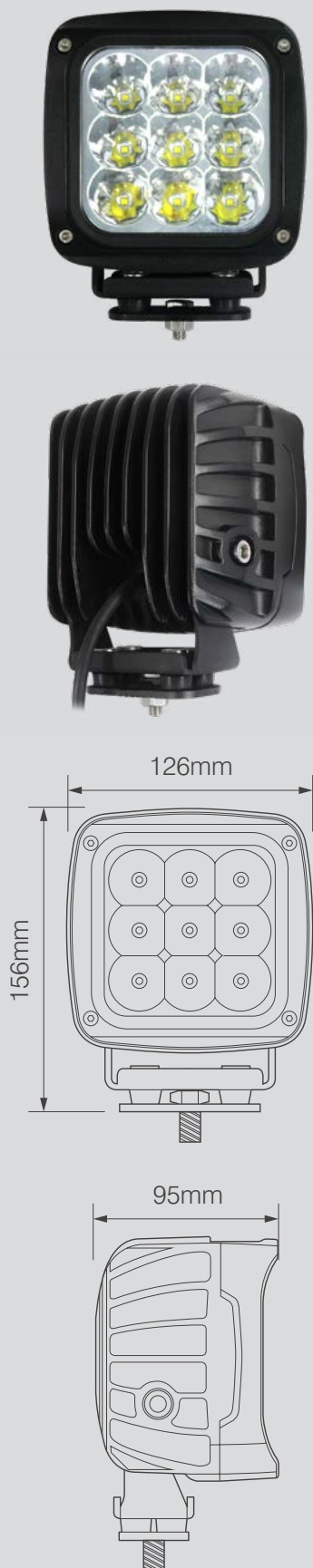


13545FBM HEAVY-DUTY SQUARE FLOOD LAMP

9 x 5W LEDs

Dimensions (mm):	156 x 126 x 95
Voltage:	12/24V Multivolt
Beam Type:	Flood
Housing:	Black Powder-Coated Die Cast Aluminium
Lens:	Polycarbonate
Weight (kg):	1.8kg
Ingress Protection:	IP67
Raw Lumens:	3780lm
Effective Lumens:	2583lm
Current Draw (13.8 / 28V):	3.3A / 1.7A
Colour Temperature:	6000K
Warranty:	2 Years

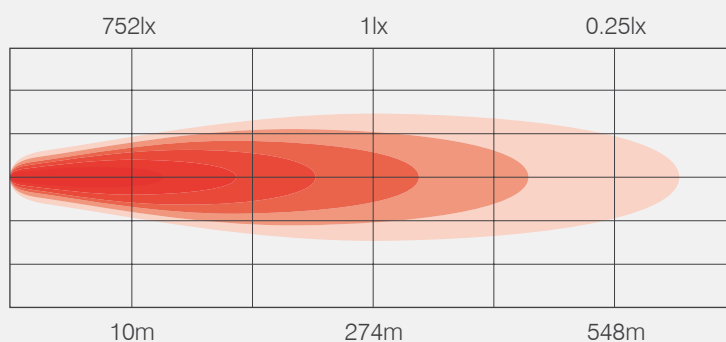


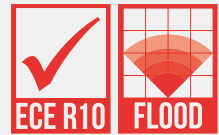
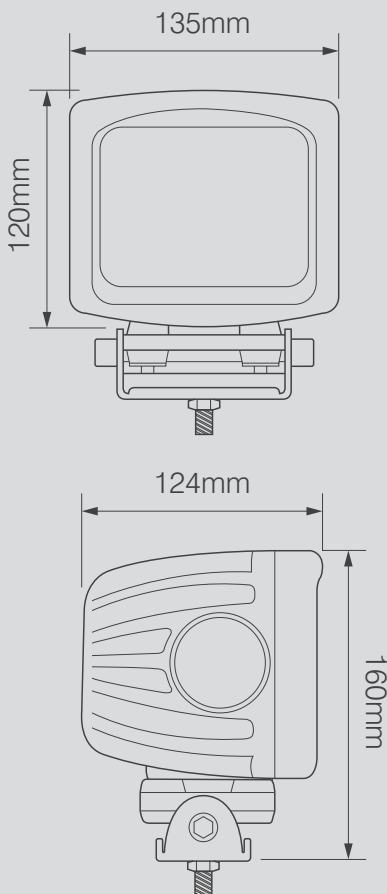


13545SBM HEAVY-DUTY SQUARE SPOT LAMP

9 x 5W LEDs

Dimensions (mm):	156 x 126 x 95
Voltage:	12/24V Multivolt
Beam Type:	Spot
Housing:	Black Powder-Coated Die Cast Aluminium
Lens:	Polycarbonate
Weight (kg):	1.8kg
Ingress Protection:	IP67
Raw Lumens:	3780lm
Effective Lumens:	2583lm
Current Draw (13.8 / 28V):	3.3A / 1.7A
Colour Temperature:	6000K
Warranty:	2 Years



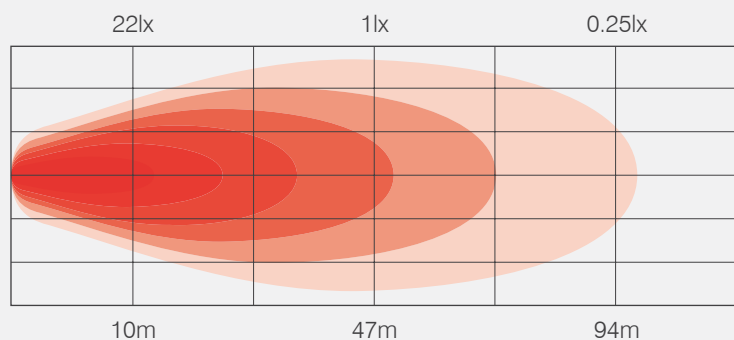


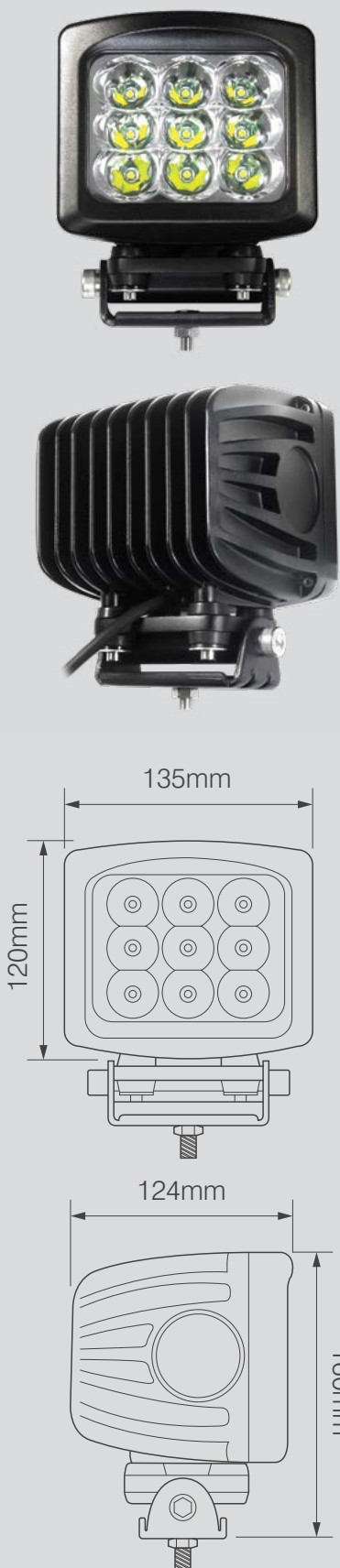
13590FBM

LARGE HEAVY-DUTY SQUARE FLOOD LAMP

9 x 10W LEDs

Dimensions (mm):	160 x 135 x 124
Voltage:	12/24V Multivolt
Beam Type:	Flood
Housing:	Black Powder-Coated Die Cast Aluminium
Lens:	Polycarbonate
Weight (kg):	2.9kg
Ingress Protection:	IP67
Raw Lumens:	8100lm
Effective Lumens:	4692lm
Current Draw (13.8 / 28V):	6.4A / 3.1A
Colour Temperature:	6000K
Warranty:	2 Years



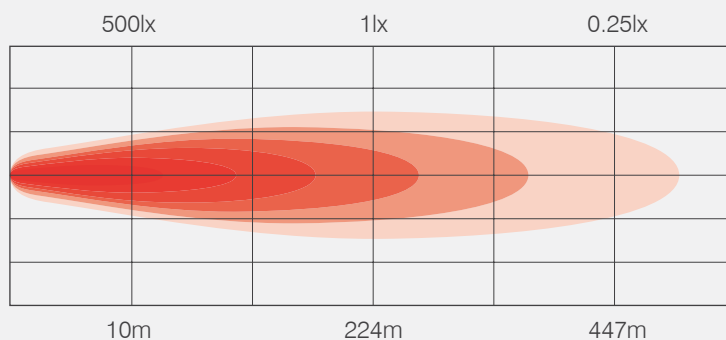


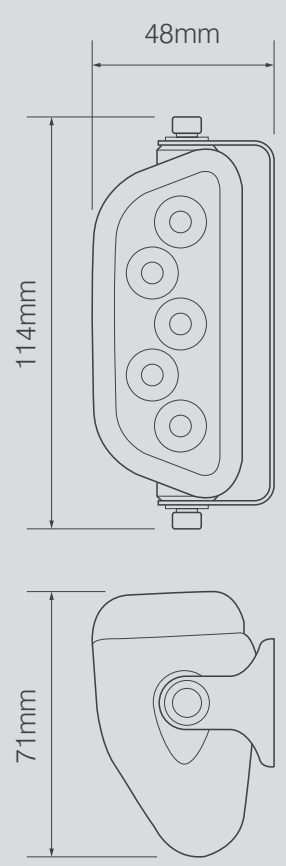
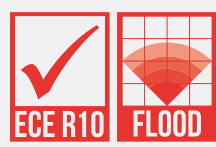
13590SBM

LARGE HEAVY-DUTY SQUARE SPOT LAMP

9 x 10W LEDs

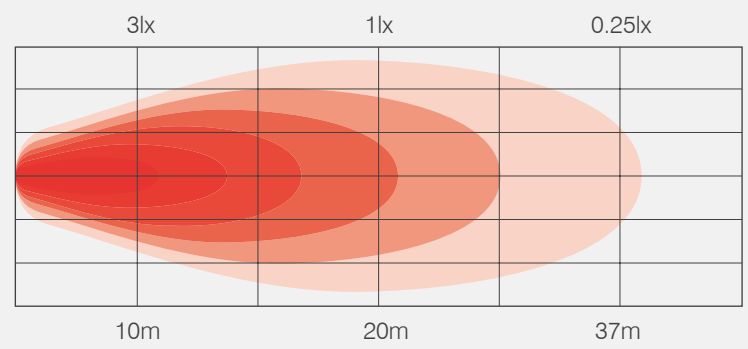
Dimensions (mm):	160 x 135 x 124
Voltage:	12/24V Multivolt
Beam Type:	Spot
Housing:	Black Powder-Coated Die Cast Aluminium
Lens:	Polycarbonate
Weight (kg):	2.9kg
Ingress Protection:	IP67
Raw Lumens:	8100lm
Effective Lumens:	5353lm
Current Draw (13.8 / 28V):	6.4A / 3.1A
Colour Temperature:	6000K
Warranty:	2 Years

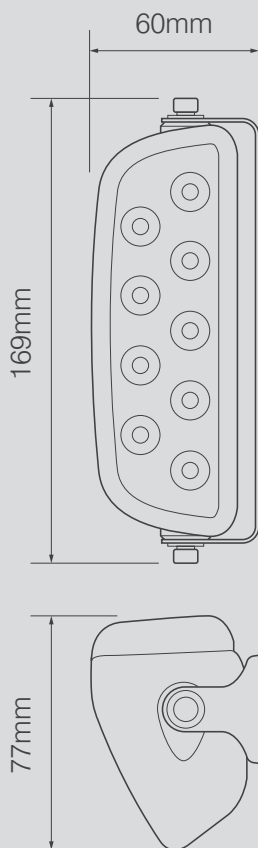
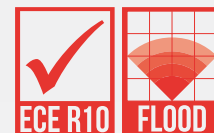




7150BM - Black
7150WM - White
LOW PROFILE FLOOD LAMPS
5 x 0.5W LEDs

Dimensions (mm):	114 x 48 x 71
Voltage:	12/24V Multivolt
Beam Type:	Flood
Housing:	Powder-Coated Aluminium
Lens:	High Impact Acrylic
Weight (kg):	0.3kg
Ingress Protection:	IP67
Raw Lumens:	175lm
Effective Lumens:	120lm
Current Draw (13.8 / 28V):	0.30A / 0.19A
Colour Temperature:	6000K
Warranty:	3 Years





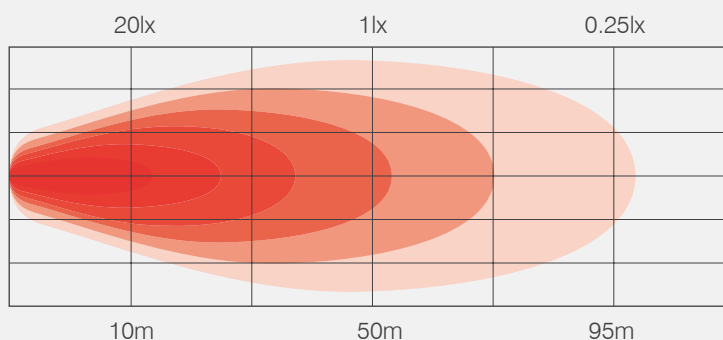
7790BM - Black

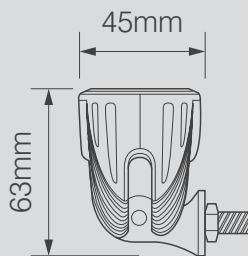
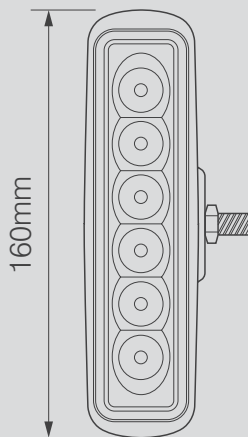
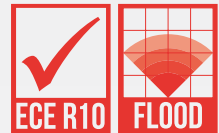
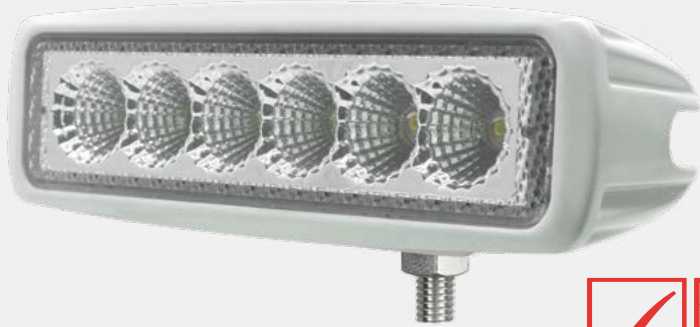
7790WM - White

LOW PROFILE FLOOD LAMPS

9 x 1W LEDs

Dimensions (mm):	169 x 60 x 77
Voltage:	12/24V Multivolt
Beam Type:	Flood
Housing:	Powder-Coated Aluminium
Lens:	High Impact Acrylic
Weight (kg):	0.6kg
Ingress Protection:	IP67
Raw Lumens:	1080lm
Effective Lumens:	810lm
Current Draw (13.8 / 28V):	0.97A / 0.44A
Colour Temperature:	6000K
Warranty:	3 Years





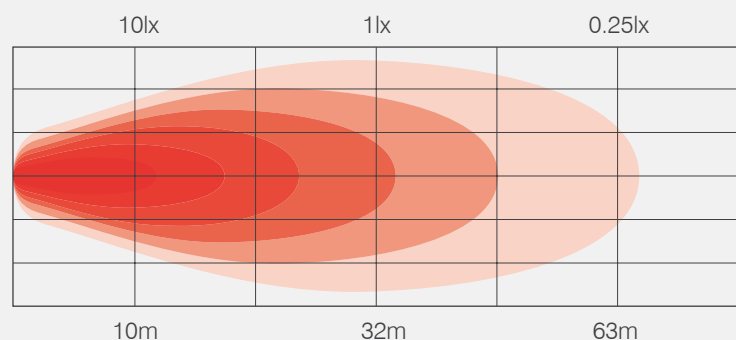
16018FBM - Black

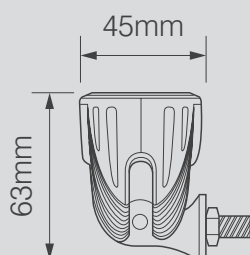
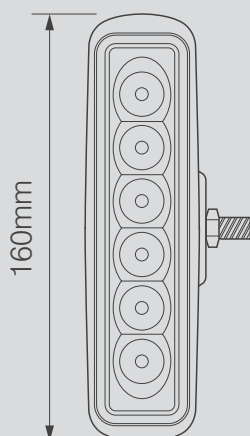
16018FWM - White

HIGH-POWERED RECTANGULAR FLOOD LAMPS

6 x 3W LEDs

Dimensions (mm):	160 x 45 x 63
Voltage:	12/24V Multivolt
Beam Type:	Flood
Housing:	Powder-Coated Die Cast Aluminium
Lens:	Polycarbonate
Weight (kg):	0.53kg
Ingress Protection:	IP67
Raw Lumens:	1440lm
Effective Lumens:	1152lm
Current Draw (13.8 / 28V):	1.42A / 0.7A
Colour Temperature:	6000K
Warranty:	2 Years





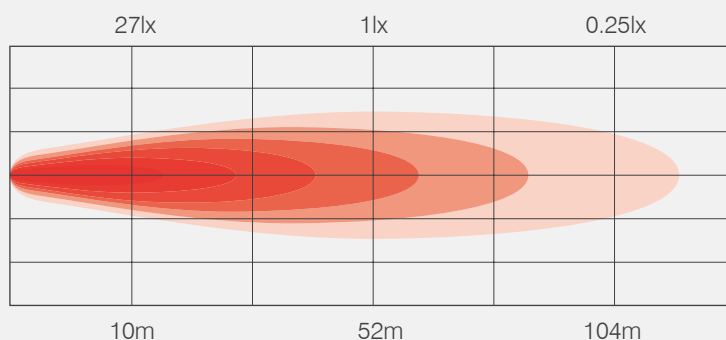
16018BM - Black

16018WM - White

HIGH-POWERED RECTANGULAR SPOT LAMPS

6 x 3W LEDs

Dimensions (mm):	160 x 45 x 63
Voltage:	12/24V Multivolt
Beam Type:	Spot
Housing:	Powder-Coated Die Cast Aluminium
Lens:	Polycarbonate
Weight (kg):	0.53kg
Ingress Protection:	IP67
Raw Lumens:	1440lm
Effective Lumens:	1175lm
Current Draw (13.8 / 28V):	1.42A / 0.7A
Colour Temperature:	6000K
Warranty:	2 Years



105124BM SPOT LAMP LIGHT BAR 24 x 10W LED

Dimensions (mm):	96 x 1051 x 90
Weight (kg):	6.9kg
Raw Lumens:	21600lm
Effective Lumens:	12027lm
Current Draw (13.8 / 28V):	13.4A / 6.7A

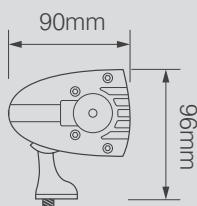
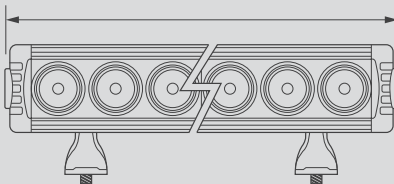
79718BM SPOT LAMP LIGHT BAR 18 x 10W LED

Dimensions (mm):	96 x 797 x 90
Weight (kg):	5.2kg
Raw Lumens:	16200lm
Effective Lumens:	9020lm
Current Draw (13.8 / 28V):	9.8A / 4.9A

54312BM SPOT LAMP LIGHT BAR 12 x 10W LED

Dimensions (mm):	96 x 543 x 90
Weight (kg):	3.7kg
Raw Lumens:	10800lm
Effective Lumens:	5360lm
Current Draw (13.8 / 28V):	7.8A / 3.1A

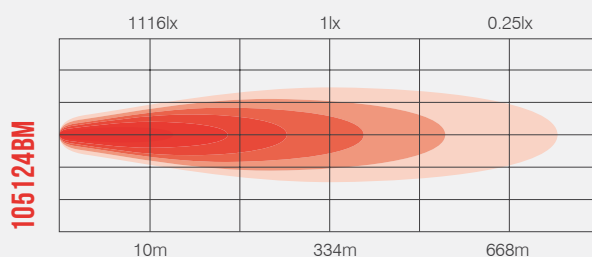
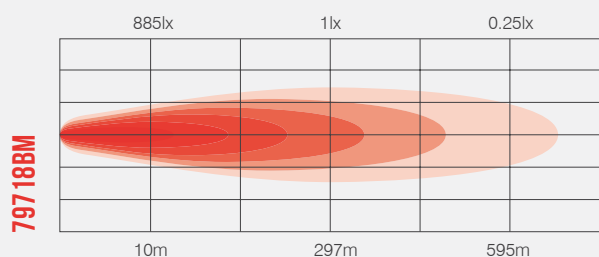
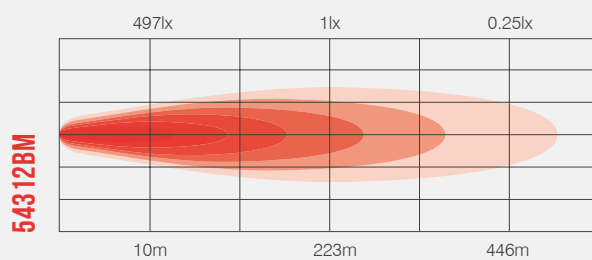
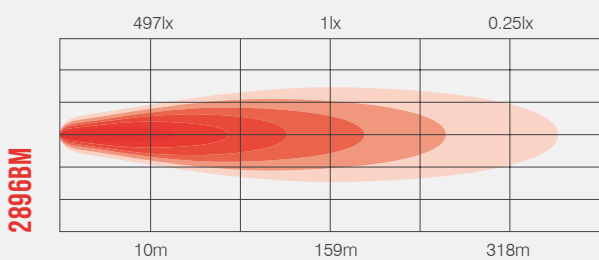
2896BM: 289mm
 54312BM: 543mm
 79718BM: 797mm
 105124BM: 1051mm

**2896BM SPOT LAMP LIGHT BAR** 6 x 10W LED

Dimensions (mm):	96 x 289 x 90
Weight (kg):	2.4kg
Raw Lumens:	5400lm
Effective Lumens:	3073lm
Current Draw (13.8 / 28V):	4.3A / 2.1A



Voltage:	12/24V Multivolt
Beam Type:	Spot
Housing:	Black Powder-Coated Die Cast Aluminium
Lens:	Polycarbonate
Ingress Protection:	IP67
Colour Temperature:	6000K
Warranty:	2 Years

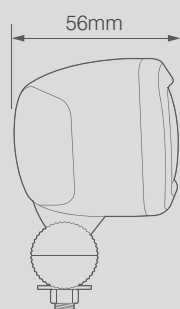
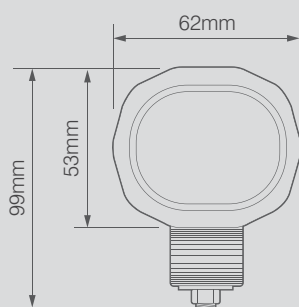


Optional Accessory

LBBKT – Set of Two

HEAVY-DUTY MOUNTING BRACKETS



**NEW****62RP6BM****RED PERIMETER LINE FORKLIFT SAFETY LAMP**

2 x 3W LEDs



IDEAL FOR FORKLIFT

Dimensions (mm):	99 x 62 x 56
Voltage:	10-80V
Beam Type:	Red Perimeter Line
Housing:	Black Powder-Coated Die Cast Aluminium
Lens:	Polycarbonate
Weight (kg):	0.2kg
Ingress Protection:	IP67
Raw Lumens:	180lm
Current Draw (10 / 80V):	0.38A / 0.06A
Colour:	Red
Warranty:	3 Years

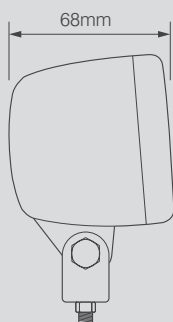
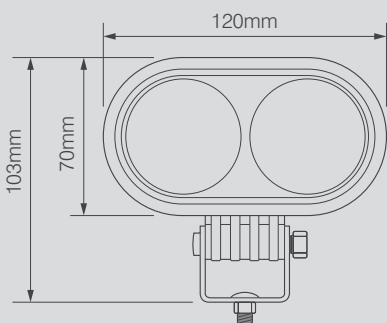




NEW

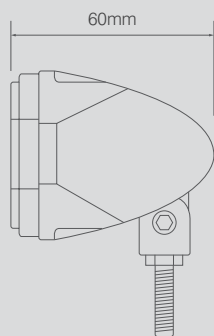
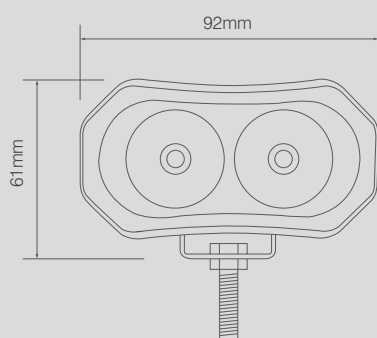
120BS6BM
BLUE FORKLIFT SAFETY SPOT LAMP

2 x 3W LEDs



Dimensions (mm):	120 x 103 x 68
Voltage:	10-80V
Beam Type:	Spot
Housing:	Black Powder-Coated Die Cast Aluminium
Lens:	Polycarbonate
Weight (kg):	0.52kg
Ingress Protection:	IP67
Raw Lumens:	120lm
Current Draw (10 / 110V):	0.5A / 0.08A
Colour:	Blue
Warranty:	3 Years



**NEW****92B6BM****BLUE FORKLIFT SAFETY SPOT LAMP**

2 x 3W LEDs

**IDEAL FOR FORKLIFT**

Dimensions (mm):	92 x 61 x 60
Voltage:	10-110V
Beam Type:	Spot
Housing:	Black Powder-Coated Die Cast Aluminium
Lens:	Polycarbonate
Weight (kg):	0.285kg
Ingress Protection:	IP67
Raw Lumens:	541lm
Effective Lumens:	375lm
Current Draw (10 / 110V):	0.5A / 0.6A
Colour:	Blue
Warranty:	2 Years





**IDEAL
FOR
FORKLIFT**

EXTENDED VOLTAGE WORK LAMPS

Developed specifically for forklift trucks
and specialist machinery

10–80V WORK LAMPS



6612FB80V
COMPACT SQUARE FLOOD LAMP
4 x 3W LEDs

Dimensions (mm):	120 x 66 x 65
Voltage:	10–80V
Raw Lumens:	960lm
Current (10 / 80V):	1.08A / 0.12A



8112B80V
COMPACT SQUARE WORK LAMP
4 x 3W LEDs

Dimensions (mm):	81 x 110 x 67
Voltage:	10–80V
Raw Lumens:	1000lm
Current (10 / 80V):	1.5A / 0.21A



10030B80V
SQUARE FLOOD LAMP
6 x 5W LEDs

Dimensions (mm):	128 x 100 x 82
Voltage:	10–80V
Raw Lumens:	2520lm
Current (10 / 80V):	2.3A / 1.1A

10–110V WORK LAMPS



11015B110V
SQUARE FLOOD LAMP
5 x 3W LEDs

Dimensions (mm):	128 x 110 x 45
Voltage:	10–110V
Raw Lumens:	1200lm
Current (10 / 110V):	0.91A / 0.12A



11027B110V
**HIGH-POWERED SQUARE
FLOOD LAMP**
9 x 3W LEDs

Dimensions (mm):	128 x 110 x 55
Voltage:	10–110V
Raw Lumens:	2160lm
Current (10 / 110V):	2.6A / 0.27A



11127B110V
**HIGH-POWERED ROUND
FLOOD LAMP**
9 x 3W LEDs

Dimensions (mm):	128 x 110 x 55
Voltage:	10–110V
Raw Lumens:	2160lm
Current (10 / 110V):	2.6A / 0.27A



Lightweight and easy-to-carry

Fully adjustable angle



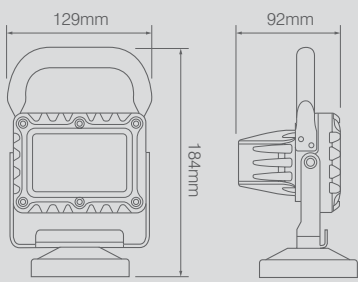
Shockproof and rain-resistant



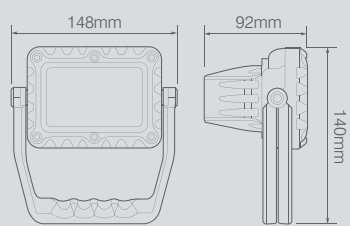
NEW



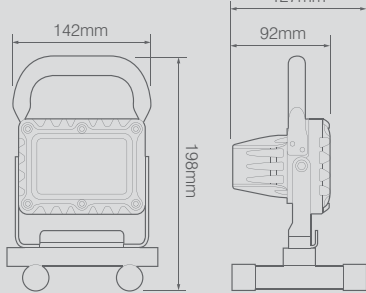
RWL129W18-MM



RWL129W18-FH



RWL129W18-HS

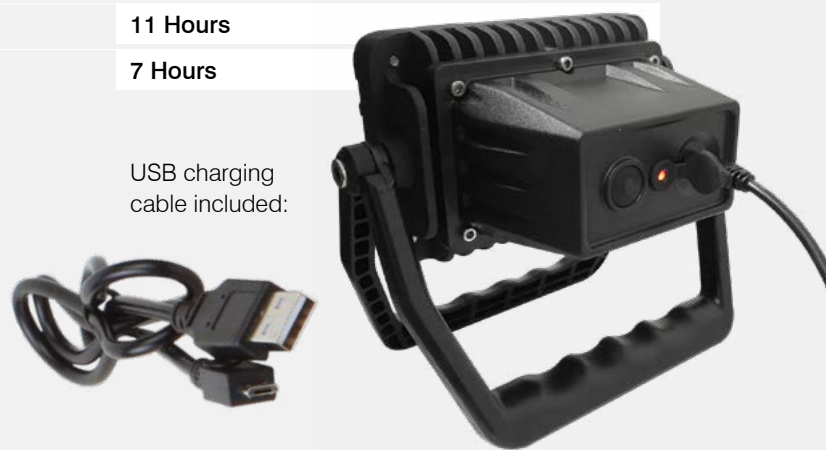


RWL SERIES USB RECHARGEABLE PORTABLE WORK LIGHTS 6 x 3W LEDs

Voltage:	DC 5V
Beam Type:	Flood
Housing:	Black Powder-Coated Die Cast Aluminium
Lens:	Polycarbonate
Ingress Protection:	IP65
Raw Lumens:	1200lm
Effective Lumens:	950lm
Colour Temperature:	6000K
Warranty:	2 Years

Power Mode	Battery Life
High (100%):	3 Hours
Low (30%):	11 Hours
SOS:	7 Hours

USB charging cable included:



NEW

RWL 129W 18-MM
USB RECHARGEABLE WORK LIGHT
 Magnetic Mount

Dimensions (mm):	184 x 129 x 92
Weight (kg):	1.27kg


NEW

RWL 129W 18-FH
USB RECHARGEABLE WORK LIGHT
 Folding Handle

Dimensions (mm):	148 x 140 x 92
Weight (kg):	0.71kg


NEW

RWL 129W 18-HS
USB RECHARGEABLE WORK LIGHT
 H-Stand

Dimensions (mm):	198 x 142 x 127
Weight (kg):	1.08kg





Stockist

LED Autolamps Europe LLP
Unit 8J, Maybrook Business Park
Minworth, Sutton Coldfield
B76 1AL, United Kingdom

T +44 (0)121 313 2222
F +44 (0)121 313 2272
E enquiries@ledautolamps-uk.com
W www.ledautolamps-uk.com